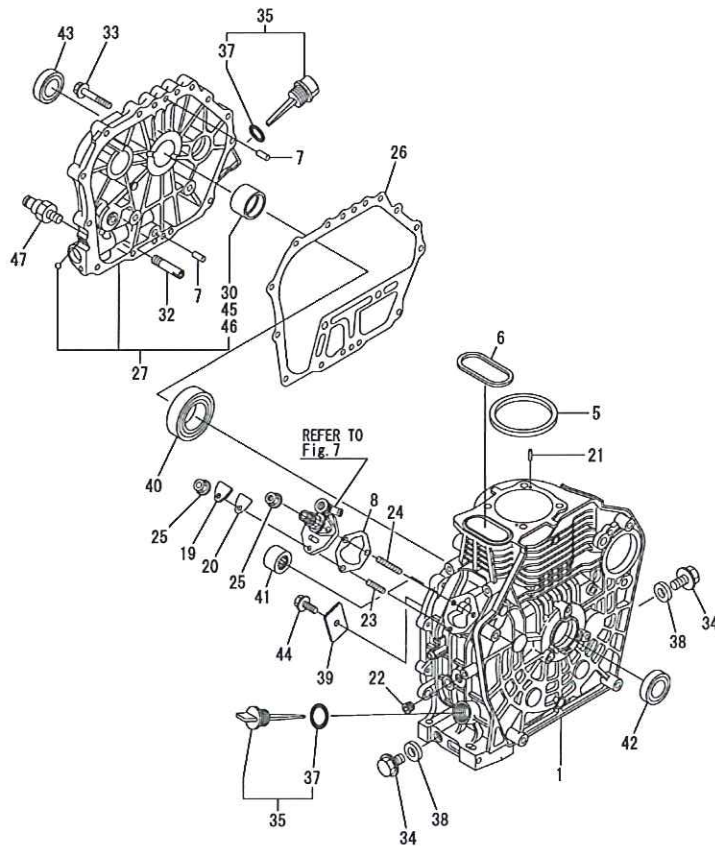


Fig.1. CYLINDER BLOCK



OCR10-G75900 1. CYLINDER BLOCK

(A)=L100N5EJ1C1AAAY
(B)=
(C)=

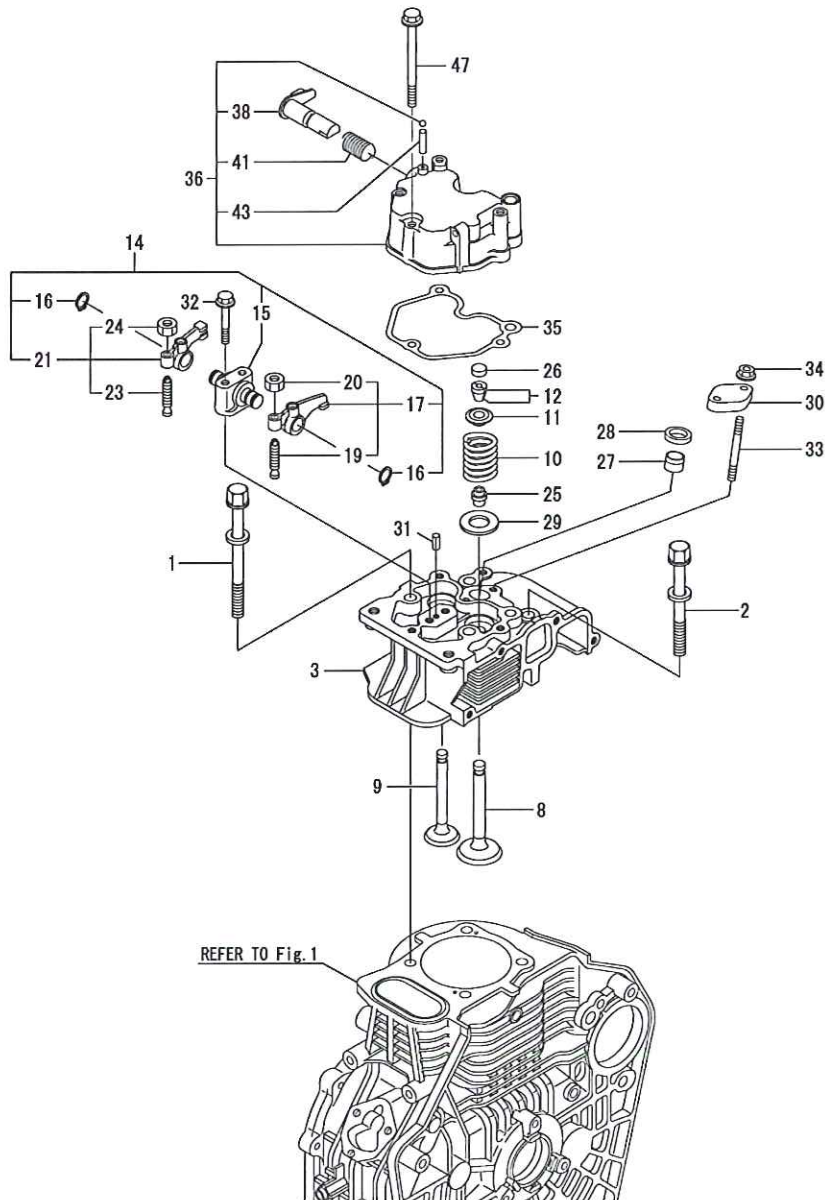
(D)=
(E)=
(F)=

REF.	LEV.	PARTS NO.	DESCRIPTION	Q'TY						I	R	
				(A)	(B)	(C)	(D)	(E)	(F)			
1	1	114310-01020	BLOCK ASSY, CYLINDER	1								
5	1	114695-01340	GASKET, HEAD 0.5	1								
6	1	114699-01380	O-RING	1								
7	1	114299-01600	PIN, 8X12	2								
8	1	114299-01800	SHIM SET	1								
19	1	114299-01830	COVER,(FO PUMP)	1								
20	1	114250-01841	GASKET	1								
21	1	22312-040080	PIN 4X8,STRAIGHT	2								
22	1	23875-020000	PLUG PT1/4,STEEL	1								
23	1	26226-060182	STUD M 6X 18 PLATED	1								
24	1	26226-060222	STUD M 6X 22 PLATED	2								
25	1	26366-060002	NUT M 6	3								
26	1	114699-01410	GASKET, CRANK CASE	1								
27	1	114310-01450	COVER(D, CRANK CASE)	1								
30	2	114650-02100	BEARING, MAIN	1								1
32	1	114299-35150	PIPE, L.O. INLET	1								
33	1	26106-080352	BOLT M 8X 35 PLATED	16								
34	1	114299-01690	PLUG M16	2								
35	1	114699-01760	CAP, W/LUB.OIL GAUGE	2								
37	2	114299-01950	O-RING	2								
38	1	22190-160002	SEAL WASHER 16S	2								
39	1	114299-02030	RETAINER	1								
40	1	114650-02150	BALL BEARING	1								
41	1	24162-152220	NEEDLE, 152220	1								
42	1	24423-355008	SEAL, OIL	1								
43	1	24423-355008	SEAL, OIL	1								
44	1	26106-080122	BOLT M 8X 12 PLATED	1								
45	1	114650-02200	MAIN BEARING US=0.25	1								2
46	1	114650-02210	MAIN BEARING US=0.50	1								3
47	1	183250-39450	SENDER, OIL PRESSURE	1								

Remarks

- (1)REPAIR PART.
- (2)UNDER SIZED(U.S.=0.25)PART.
- (3)UNDER SIZED(U.S.=0.50)PART.

Fig.2. CYLINDER HEAD & BONNET



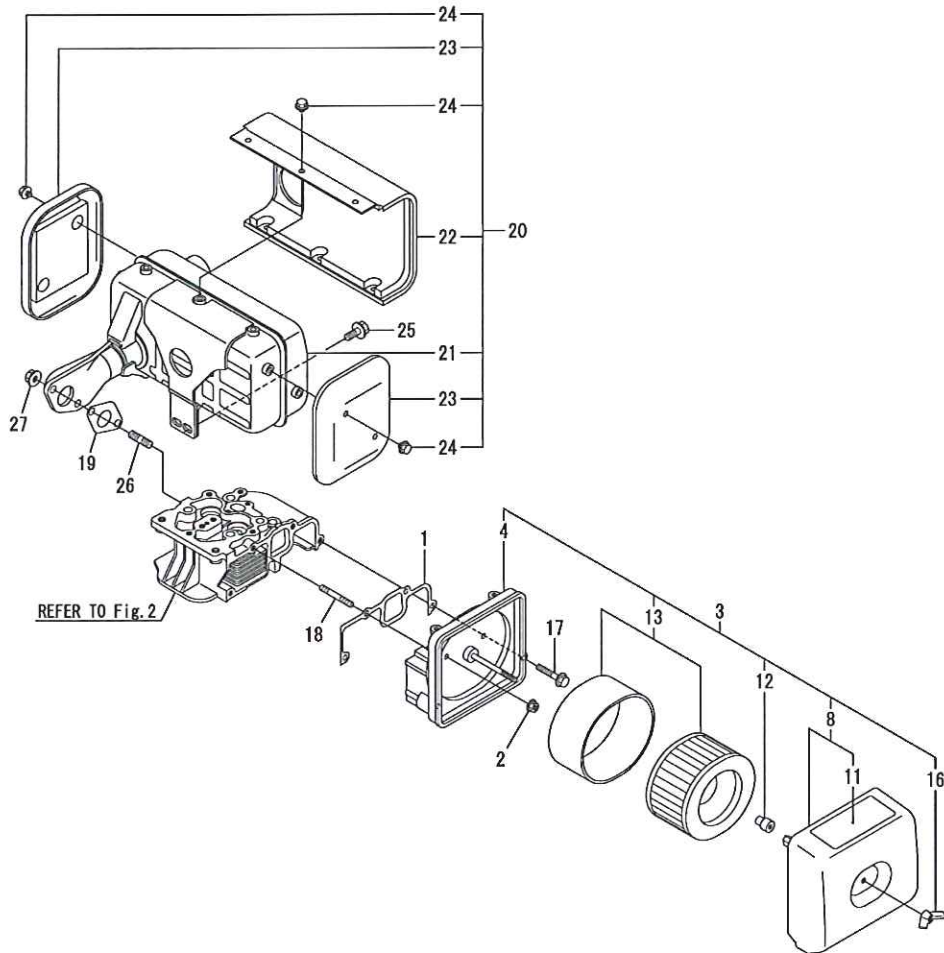
0CR10-G75900 2. CYLINDER HEAD & BONNET

(A)=L100N5EJ1C1AAAY
(B)=
(C)=

(D)=
(E)=
(F)=

REF.	LEV.	PARTS NO.	DESCRIPTION	Q'TY						I	R
				(A)	(B)	(C)	(D)	(E)	(F)		
1	1	114310-01200	BOLT, CYL.HEAD A	2							
2	1	114310-01210	BOLT, CYL.HEAD B	2							
3	1	114320-11020	HEAD ASSY, CYLINDER	1							
8	1	114310-11100	VALVE, INTAKE	1							
9	1	114310-11110	VALVE, EXHAUST	1							
10	1	114310-11120	SPRING, VALVE	2							
11	1	114310-11180	RETAINER, SPRING	2							
12	1	114310-11930	COTTER ASSY	2							
14	1	114310-11250	SUPPORT ASSY, ROCKER	1							
15	2	114310-11260	SUPPORT, ROCKER ARM	1							
16	2	114310-11280	C TYPE RETAINING RIN	2							
17	2	114310-11650	ARM ASSY, INTAKE	1							
19	3	114299-11240	SCREW, ADJUSTING	1							
20	3	26856-060002	LOCK NUT 6	1							
21	2	114310-11660	ARM ASSY, EXHAUST	1							
23	3	114299-11240	SCREW, ADJUSTING	1							
24	3	26856-060002	LOCK NUT 6	1							
25	1	114650-11340	SEAL, VALVE STEM	2							
26	1	104211-11370	CAP, VALVE	2							
27	1	114240-11450	PROTECTOR, NOZZLE	1							
28	1	114240-11550	SEAT, NOZZLE	1							
29	1	114699-11600	WASHER	2							
30	1	114210-11901	RETAINER, NOZZLE	1							
31	1	22351-040008	SPRING PIN 4X 8	1							
32	1	26106-080502	BOLT M 8X 50 PLATED	2							
33	1	26226-060552	STUD M6X 55 PLATED	2							
34	1	26366-060002	NUT M 6	2							
35	1	114310-11310	GASKET, BONNET	1							
36	1	114310-11950	BONNET ASSY, HEAD	1							
38	2	114210-03590	SHAFT ASSY, DECOMP.	1							
41	2	114299-03640	SPRING, DECOMP.	1							
43	2	22312-030160	PARALLEL PIN 3X16	1							
47	1	26106-060652	BOLT M 6X 65 PLATED	3							

Fig.3. AIR CLEANER & MUFFLER



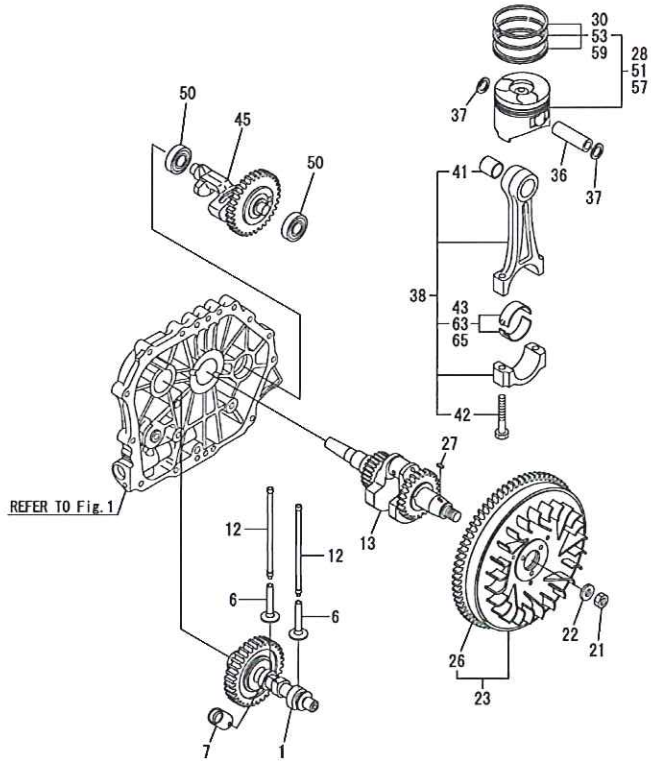
0CR10-G75900 3. AIR CLEANER & MUFFLER

(A)=L100N5EJ1C1AAAY
(B)=
(C)=

(D)=
(E)=
(F)=

REF.	LEV.	PARTS NO.	DESCRIPTION	Q'TY						I	R
				(A)	(B)	(C)	(D)	(E)	(F)		
1	1	114310-12210	GASKET, AIR CLEANER	1							
2	1	114299-12300	U-NUT	3							
3	1	114310-12511	CLEANER ASSY, AIR	1							
4	2	114310-12010	BODY ASSY, AIR CLNR	1							
8	2	114210-12500	COVER ASSY, AIR CLNR	1							
11	3	114210-12610	LABEL, AIR CLEANER	1							
12	2	114210-12560	NUT, WING	1							
13	2	114210-12590	ELEMENT ASSY	1							
16	2	114210-12600	LOCKING KNOB	1							
17	1	26106-060402	BOLT M 6X 40 PLATED	1							
18	1	26226-060352	STUD M 6X 35 PLATED	3							
19	1	114310-13200	GASKET, MUFFLER	1							
20	1	114699-13552	MUFFLER ASSY	1							
21	2	114699-13562	MUFFLER	1							
22	2	114699-13700	COVER A, MUFFLER	1							
23	2	114699-13710	COVER B, MUFFLER	2							
24	2	114699-13720	BOLT M6, FLANGE	10							
25	1	26106-080202	BOLT M 8X 20 PLATED	2							
26	1	26216-080182	STUD M 8X 18 PLATED	2							
27	1	26366-080002	NUT M 8	2							

Fig.4. CRANKSHAFT, PISTON & CAMSHAFT



OCR10-G75900 4. CRANKSHAFT, PISTON & CAMSHAFT

(A)=L100N5EJ1C1AAAY
(B)=
(C)=

(D)=
(E)=
(F)=

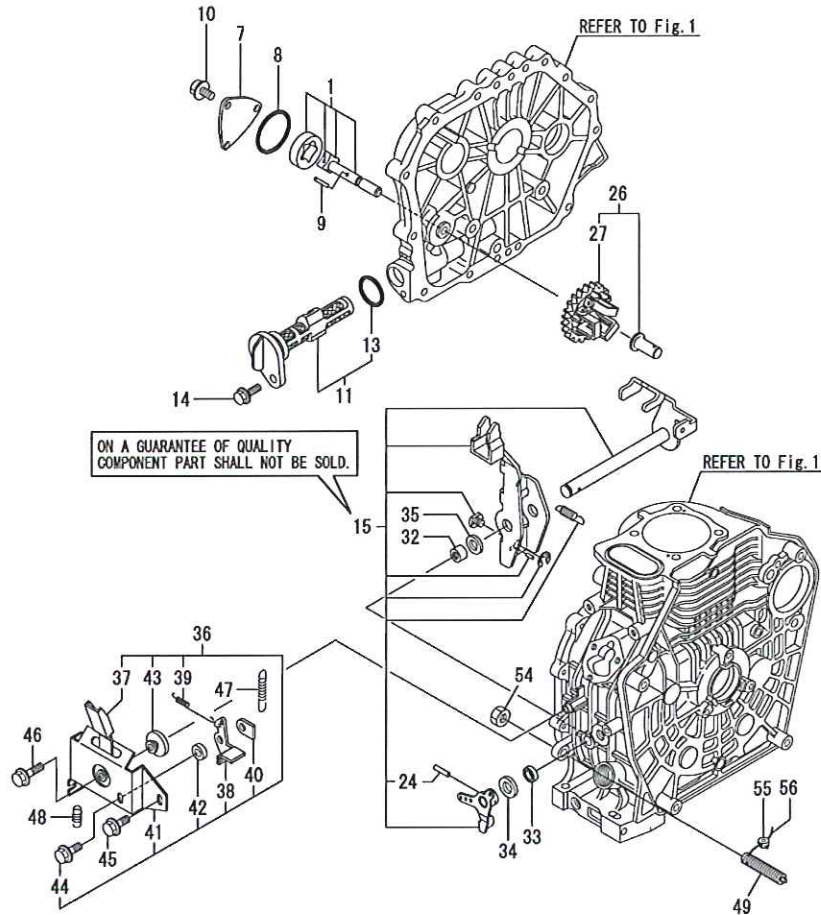
REF.	LEV.	PARTS NO.	DESCRIPTION	Q'TY					
				(A)	(B)	(C)	(D)	(E)	(F)
1	1	714320-14580	CAMSHAFT ASSY	1					
6	1	114310-14200	TAPPET	2					
7	1	114210-14300	TAPPET ASSY, ROLLER	1					
12	1	114310-14400	ROD ASSY, PUSH	2					
13	1	714310-21710	CRANKSHAFT(E-DG ASSY)	1					
21	1	114699-21220	NUT	1					
22	1	114699-21550	WASHER, FLYWHEEL	1					
23	1	114699-21600	FLYWHEEL ASSY, DE	1					
26	2	114699-21630	RING, GEAR	1					
27	1	22512-050140	KEY 5X 14	1					
28	1	714320-22720	PISTON W/RINGS (D	1					
30	2	714310-22500	RING SET, PISTON	1					
36	1	114699-22300	PIN, PISTON D=23	1					
37	1	129792-22400	CIRCLIP 23	2					
38	1	71431C-23010	ROD ASSY, CONNECTING	1					
41	2	124060-23100	BUSH, PISTON PIN	1					
42	2	119810-23200	BOLT, CONNECTING ROD	2					
43	2	714650-23600	BEARING, CRANKPIN	1					
45	1	714310-28510	SHAFT ASSY, BALANCER	1					
50	1	24101-063040	BALL BEARING	2					
51	1	714320-22620	PISTON W/RING OS=.25	1					1
53	2	714310-22540	RING SET O.S=0.25	1					1
57	1	714320-22580	PISTON W/RING OS=0.5	1					2
59	2	714310-22550	RING SET O.S=0.50	1					2
63	1	714650-23610	BEARING,PIN(U.S=0.25	1					3
65	1	714650-23620	BEARING,PIN(U.S=0.50	1					4

Remarks

- (1)OVER SIZED(O.S.=0.25)PART.
- (2)OVER SIZED(O.S.=0.50)PART.
- (3)UNDER SIZED(U.S.=0.25)PART.
- (4)UNDER SIZED(U.S.=0.50)PART.

N:Old $\xrightarrow{\text{Yes}}$ New, Q:Old $\xrightarrow{\text{No}}$ New, R:Old $\xrightarrow{\text{Yes}}$ New, S:Old $\xrightarrow{\text{No}}$ New, W:Add, Z:Discontinued, F:Interchangeable by set, K:Q'ty Change

Fig.5. LUB.OIL PUMP & GOVERNOR



0CR10-G75900 5. LUB.OIL PUMP & GOVERNOR

(A)=L100N5EJ1C1AAAY

(B)=

(C)=

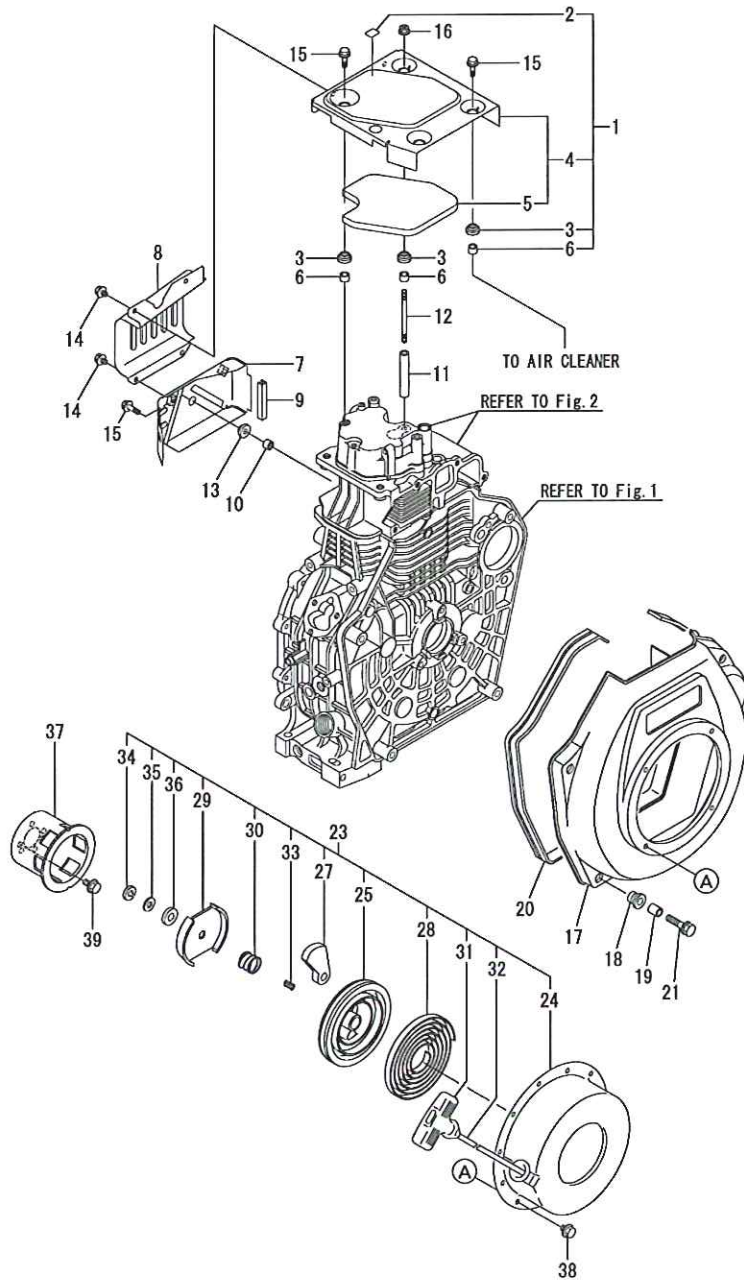
(D)=

(E)=

(F)=

REF.	LEV.	PARTS NO.	DESCRIPTION	Q'TY					
				(A)	(B)	(C)	(D)	(E)	(F)
1	1	114650-32010	PUMP ASSY, LUB.OIL	1					
7	1	114299-32070	COVER, LUB. OIL PUMP	1					
8	1	114299-32570	O-RING, COVER	1					
9	1	22312-030160	PARALLEL PIN 3X16	1					
10	1	26106-060122	BOLT M 6X 12 PLATED	3					
11	1	114299-35110	FILTER CMP, LUB.OIL	1					
13	2	24341-000224	O-RING 1A S-22.4	1					
14	1	26106-060162	BOLT M 6X 16 PLATED	1					
15	1	114311-61500	LEVER ASSY, GOVERNOR	1					
24	2	22322-030200	TAPER PIN 3X20	1					
26	1	714210-61701	GOVERNOR ASSY	1					
27	2	114210-61290	WEIGHT ASSY,GOVERNOR	1					
32	1	114770-61520	BEARING	2					
33	1	114299-61600	SEAL, OIL	1					
34	1	114770-61610	WASHER, THRUST	1					
35	1	114299-61190	WASHER, GOVERNOR	1					
36	1	114210-66510	BRACKET, REGULATOR	1					
37	2	114210-66300	HANDLE	1					
38	2	183250-66321	LEVER	1					
39	2	183250-66331	SPRING, LEVER	1					
40	2	183250-66341	NUT	1					
41	2	114210-66350	BRACKET	1					
42	2	183250-66361	COLLAR	1					
43	2	183250-66371	COLLAR	1					
44	2	26106-060162	BOLT M 6X 16 PLATED	1					
45	1	26106-060142	BOLT M 6X 14 PLATED	1					
46	1	26106-060202	BOLT M 6X 20 PLATED	1					
47	1	114320-66020	SPRING, REGULATOR	1					
48	1	114299-66200	SPRING, RETURN	1					
49	1	114211-66600	LIMITER ASSY, FUEL	1					
54	1	26776-100002	LOCK NUT M10 PLATED	1					
55	1	114780-61090	TIN	1					
56	1	22451-060000	WIRE 0.6	1					

Fig.6. COOLING & STARTING DEVICE



OCR10-G75900 6. COOLING & STARTING DEVICE

(A)=L100N5EJ1C1AAAY

(B)=

(C)=

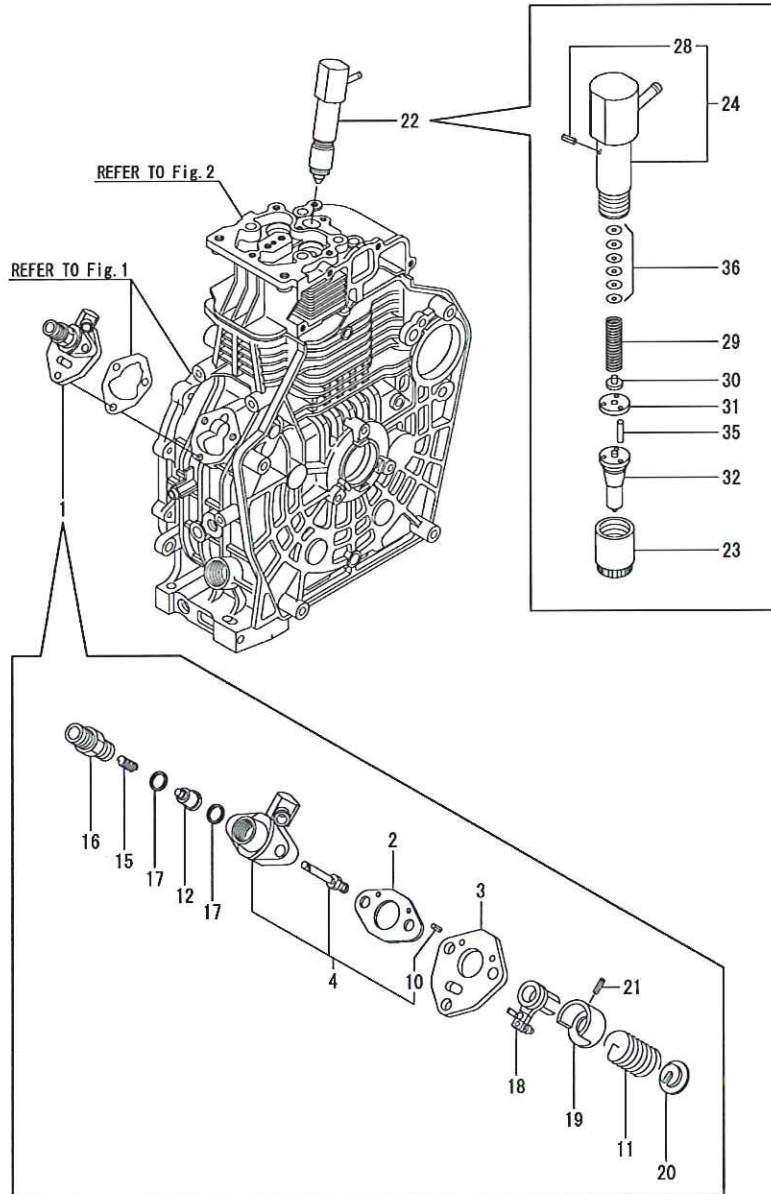
(D)=

(E)=

(F)=

REF.	LEV.	PARTS NO.	DESCRIPTION	Q'TY						I.	R
				(A)	(B)	(C)	(D)	(E)	(F)		
1	1	714310-45100	TOP COVER, ASSY	1							
2	2	114210-07200	LABEL, DECOMPRESSION	1							
3	2	114299-45220	GROMMET, TANK	4							
4	2	114310-45300	COVER, TOP	1							
5	3	114310-45310	DAMPER	1							
6	2	114399-45340	COLLAR, CYL.COVER	4							
7	1	114310-45260	COVER B, SIDE	1							
8	1	114310-45270	COVER A, SIDE	1							
9	1	114399-45320	RUBBER, SEAL	1							
10	1	114399-45340	COLLAR, CYL.COVER	1							
11	1	114310-45350	SPACER, TOP COVER	1							
12	1	114310-45360	STUD BOLT, TOP COVER	1							
13	1	114299-45220	GROMMET, TANK	1							
14	1	26106-060082	BOLT M 6X 8 PLATED	4							
15	1	26106-060202	BOLT, 6 X 20	4							
16	1	26366-060002	NUT, 6	1							
17	1	114310-45100-1	FAN CASE (GRAY)(2K)	1							
18	1	114299-45301	RUBBER, CUSHION	4							
19	1	114299-45310	COLLAR, FAN CASE	4							
20	1	114699-45330	SEAL, FAN CASE	1							
21	1	114299-45350	BOLT, FAN CASE	4							
23	1	114699-76251	STARTER ASSY, RECOIL	1							
24	2	114699-76510	CASE, STARTER	1							
25	2	114699-76521	REEL, RECOIL	1							
27	2	114699-76531	RATCHET	2							
28	2	114399-76540	SPRING, SPIRAL	1							
29	2	114699-76551	GUIDE, RATCHET	1							
30	2	114699-76560	SPRING, FRICTION	1							
31	2	114399-76620	KNOB, STARTER	1							
32	2	114699-76630	ROPE, STARTER	1							
33	2	114699-76650	SPRING, COMPRESSION	1							
34	2	114699-76660	RING, RETAINING	1							
35	2	114699-76670	WASHER	1							
36	2	114699-76680	WASHER	1							
37	1	114699-76592	PULLEY, STARTER	1							
38	1	26106-060082	BOLT, 6 X 8	4							
39	1	26106-060122	BOLT, 6 X 12	3							

Fig.7. F.I.PUMP & F.I.VALVE



(A)=L100N5EJ1C1AAAY

(B)=

(C)=

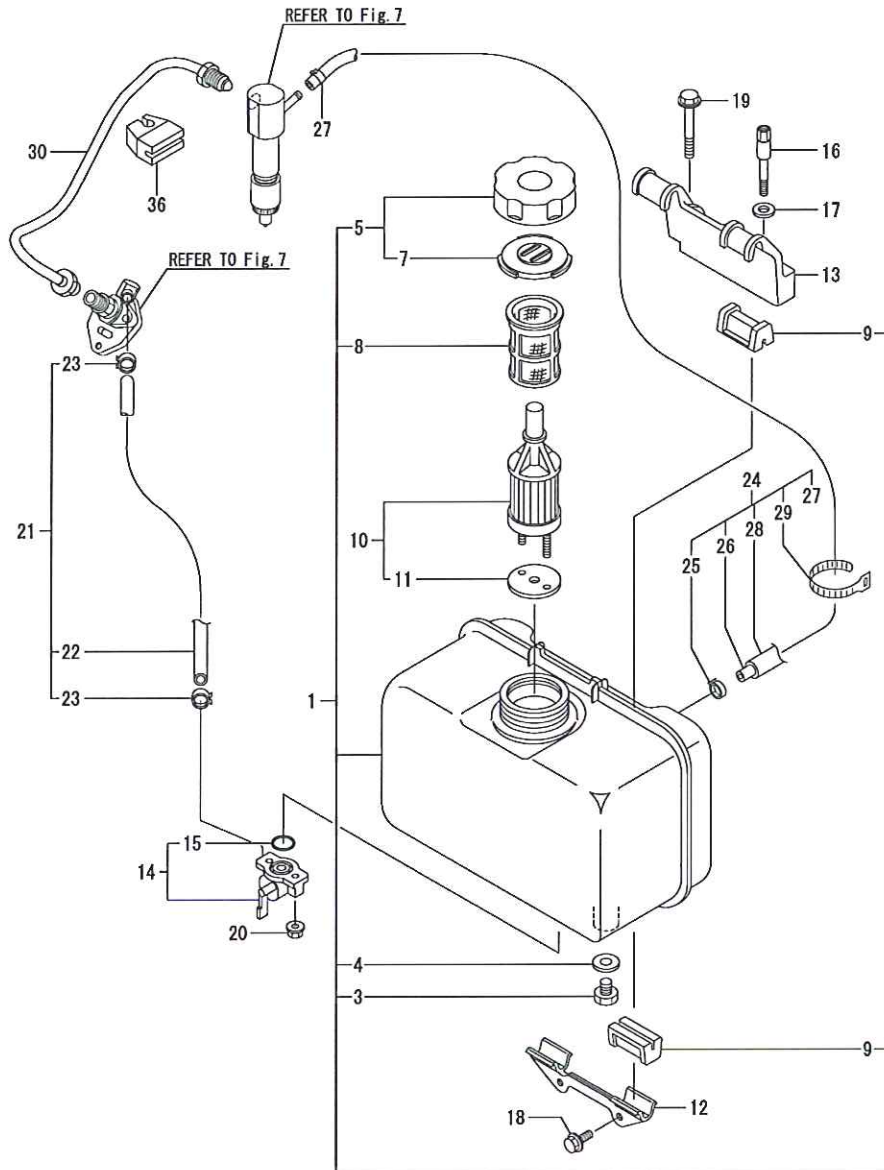
(D)=

(E)=

(F)=

REF.	LEV.	PARTS NO.	DESCRIPTION	Q'TY						I	R
				(A)	(B)	(C)	(D)	(E)	(F)		
1	1	714339-51210	F.I.PUMP ASSY	1							
2	2	105546-51020	GASKET	1							
3	2	114250-51080	PLATE	1							
4	2	114339-51100	BODY ASSY, PUMP	1							
10	4	22351-020006	SPRING PIN 2X 6	2							
11	2	114250-51160	SPRING, PLUNGER	1							
12	2	114650-51300	VALVE ASSY, DELIVERY	1							
15	2	105546-51330	SPRING, DELIVERY	1							
16	2	114250-51340	HOLDER, DELIVERY	1							
17	2	124550-51350	GASKET, DELIVERY	2							
18	2	114250-51600	LEVER ASSY, CONTROL	1							
19	2	114250-51640	SEAT, SPRING A	1							
20	2	114250-51650	SEAT, SPRING B	1							
21	2	22351-030008	SPRING PIN 3X 8	1							
22	1	714339-53200	FUEL INJECTOR	1							
23	2	114250-53080	NUT, CASE	1							
24	2	114339-53100	HOLDER ASSY, NOZZLE	1							
28	3	22351-025005	SPRING PIN 2.5AX 6	1							
29	2	114250-53120	SPRING, NOZZLE	1							
30	2	114250-53130	SEAT, SPRING	1							
31	2	114250-53140	PLATE, STOP	1							
32	2	114339-53200	NOZZLE ASSY	1							
35	2	114250-53210	PIN	2							
36	2	114250-53400	SHIM SET	1							

Fig.8. FUEL TANK & FUEL PIPE



0CR10-G75900 8. FUEL TANK & FUEL PIPE

(A)=L100N5EJ1C1AAAY
(B)=
(C)=

(D)=
(E)=
(F)=

REF.	LEV.	PARTS NO.	DESCRIPTION	Q'TY						I	R
				(A)	(B)	(C)	(D)	(E)	(F)		
1	1	714310-55700	TANK ASSY,FUEL(BLACK	1							
3	3	114299-55080	PLUG, DRAIN	1							
4	3	23414-080000	GASKET 8, ROUND	1							
5	2	114288-55041	CAP ASSY, FUEL TANK	1							
7	3	114288-55081	VALVE	1							
8	2	114299-55100	FILTER, FUEL OIL	1							
9	2	114250-55201	DAMPER, FUEL TANK	4							
10	1	114250-55121	FILTER ASSY, FUEL	1							
11	2	114250-55130	GASKET	1							
12	1	114210-55210	STAY A, FUEL TANK	1							
13	1	114310-55230	STAY B, FUEL TANK	1							
14	1	114250-55301	COCK ASSY, FUEL	1							
15	2	24341-000150	O-RING 1A S-15.0	1							
16	1	114210-55810	BOLT, LIFTING	1							
17	1	22117-080000	WASHER 8	1							
18	1	26106-060162	BOLT M 6X 16 PLATED	2							
19	1	26106-080452	BOLT M 8X 45 PLATED	1							
20	1	26366-060002	NUT M 6	2							
21	1	114780-59010	PIPE ASSY, FUEL OIL	1							
22	2	114780-59060	PIPE, FUEL OIL	1							
23	2	23080-014000	CLAMP 14	2							
24	1	114339-59300	PIPE ASSY, RETURN	1							
25	2	124722-59050	CLIP, HOSE	1							
26	2	114310-59060	PIPE, FUEL RETURN	1							
27	2	124066-59100	CLIP, HOSE	1							
28	2	114310-59310	HOSE, PROTECT	1							
29	2	121750-59890	CLAMP 140	1							
30	1	114310-59800	PIPE ASSY, INJECTION	1							
36	1	114699-59850	SUPPORT, PIPE	1							

Fig.9. STARTING MOTOR & DYNAMO

(A)=L100N5EJ1C1AAAY

(B)=

(C)=

(D)=

(E)=

(F)=

REF.	LEV.	PARTS NO.	DESCRIPTION	Q'TY						I	R
				(A)	(B)	(C)	(D)	(E)	(F)		
1	1	114362-77011	STARTER(HITACHI 12V	1							
2	2	114381-77110	ARMATURE	1							
3	2	X2114811000	WASHER KIT, THRUST	1							
4	2	X2114715500	STOPPER SET, PINION	1							
5	2	114381-77130	COIL ASSY, FIELD	1							
6	2	114381-77140	COVER, REAR	1							
7	2	114371-77160	HOLDER ASSY, BRUSH	.1							
8	3	114371-79040	BRUSH (-)	2							
9	3	114371-79050	BRUSH (+)	.1							
10	3	114371-79060	SPRING, BRUSH	4							
11	2	X211485016	PINION ASSY	.1							
12	2	114381-77151	HOUSING ASSY, GEAR	1							
13	2	114371-77170	COVER KIT, DUST	1							
14	2	114371-77180	SHIFT LEVER KIT	1							
15	2	124298-77020	SWITCH, MAGNET	1							
16	2	124195-77770	THROUGH BOLT	2							
17	2	114371-79070	BOLT M 6X 37	2							
18	2	X2114274200	COVER, TERMINAL	1							
19	1	26106-100302	BOLT M10X 30 PLATED	2							
20	1	26716-080002	NUT M 8	1							
21	1	114399-78260	DYNAMO ASSY	1							
22	2	114399-78730	STATOR ASSY	1							
23	2	114399-78740	WHEEL, DYNAMO	1							
24	1	160710-78710	CLAMP, CORD	1							
25	1	26106-060122	BOLT M 6X 12 PLATED	1							
26	1	26106-060202	BOLT M 6X 20 PLATED	3							
27	1	26577-060142	SCREW M 6X 14	3							
28	1	114399-77550	REG. & HARNESS ASSY	1							
30	3	114399-77400	BRACKET, HARNESS	1							
31	3	26023-040102	SCREW M 4X 10	2							
32	3	114399-77540	HARNESS, WIRE	1							
33	4	29411-200000	FUSE (20A),CARTRIDGE	2							
34	2	114399-77710	REGULATOR	1							
35	1	26106-060122	BOLT M 6X 12 PLATED	2							
36	1	26106-060202	BOLT M 6X 20 PLATED	2							
37	1	114351-77520	COUPLER	1							

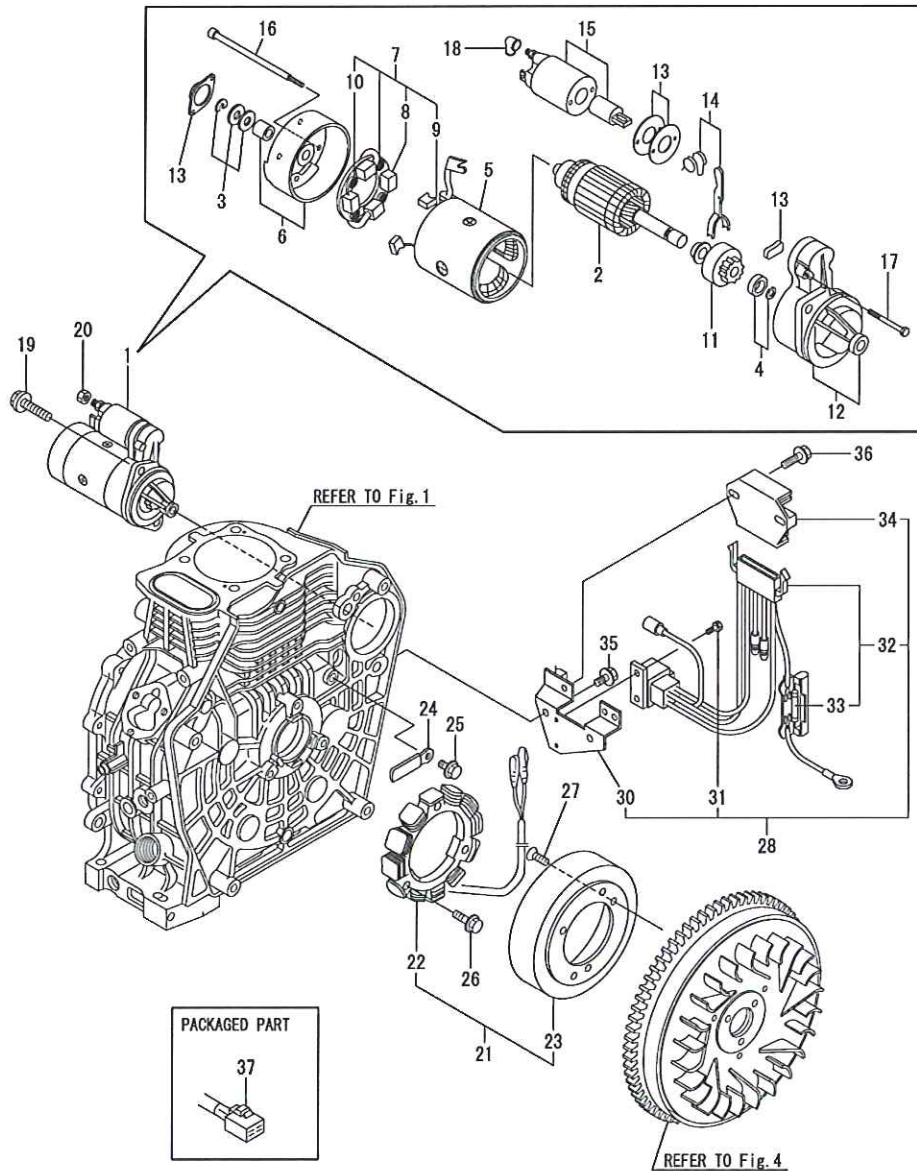
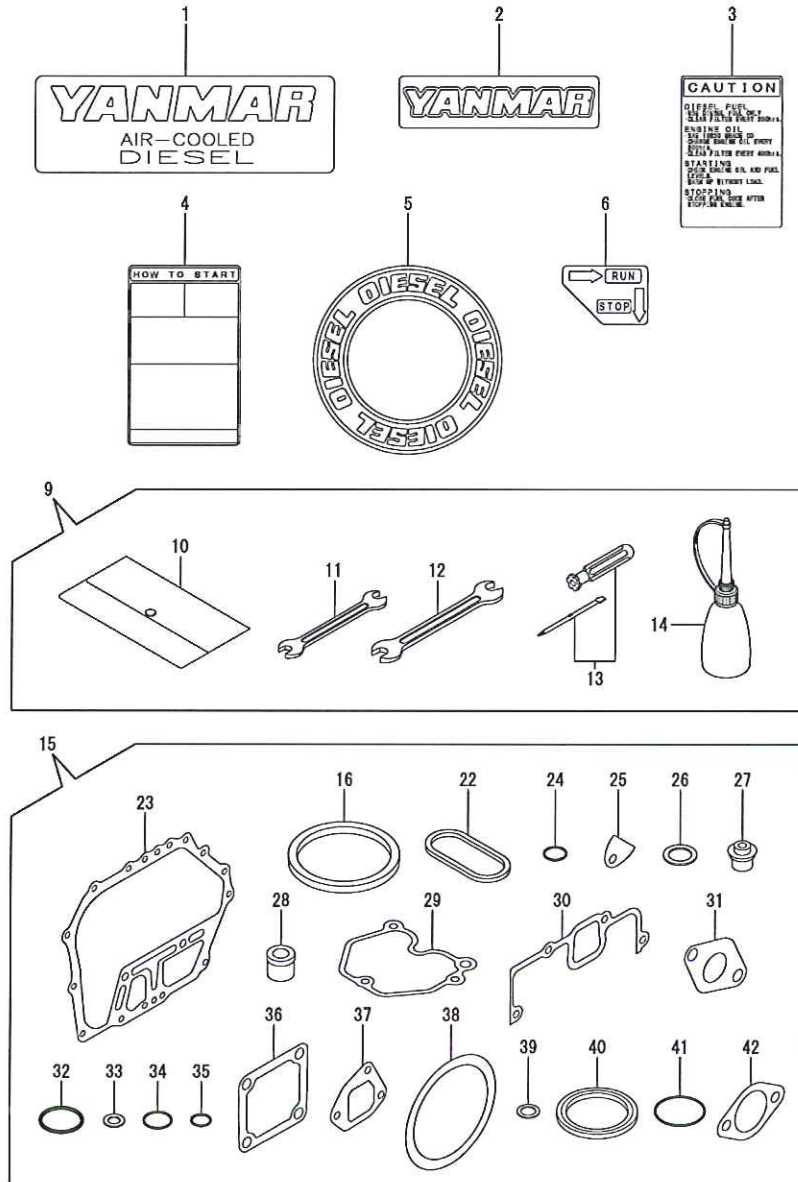


Fig.10. TOOL, LABEL & GASKET SET



Remarks
(1)OPTIONAL

(A)=L100N5EJ1C1AAAY
(B)=
(C)=

(D)=
(E)=
(F)=

REF.	LEV.	PARTS NO.	DESCRIPTION	Q'TY						I	R
				(A)	(B)	(C)	(D)	(E)	(F)		
1	1	114299-07100	LABEL, YANMAR MARK A	1							
2	1	114299-07110	LABEL, YANMAR	1							
3	1	114210-07120	LABEL, CAUTION	1							
4	1	114210-07130	LABEL HOW TO START-E	1							
5	1	114299-07160	LABEL, DIESEL	1							
6	1	183250-07480	LABEL, RUN-STOP	1							
9	1	114299-92590	TOOL ASSY	1							
10	2	114299-92600	TOOL BAG	1							
11	2	114299-92710	SPANNA	1							
12	2	114299-92720	SPANNA	1							
13	2	114299-92730	DRIVER	1							
14	2	114299-92740	FITTING, FUEL	1							
15	1	114320-92610	GASKET SET(NON-ASB.)	1							1
16	2	114695-01330	GASKET ASSY,CYL.HEAD	1							
22	2	114699-01380	O-RING, TAPPET	1							
23	2	114699-01410	GASKET, CRANK COVER	1							
24	2	114299-01950	O-RING	2							
25	2	114250-01841	GASKET	1							
26	2	22190-160002	WASHER, SEAL 16	2							
27	2	114650-11340	SEAL, VALVE STEM	2							
28	2	114240-11450	PROTECTOR, NOZZLE	1							
29	2	114310-11310	GASKET, BONNET	1							
30	2	114310-12210	GASKET, AIR CLEANER	1							
31	2	114310-13200	GASKET, MUFFLER	1							
32	2	114299-32570	O-RING, PUMP COVER	1							
33	2	23414-080000	GASKET 8, ROUND	1							
34	2	24341-000224	O-RING 1A S-22.4	1							
35	2	24341-000150	O-RING 1A S-15.0	2							
36	2	129100-77510	GASKET, AIR HEATER	3							
37	2	114699-12210	GASKET, AIR CLEANER	2							
38	2	114399-21980	GASKET	1							
39	2	23414-120000	GASKET, 12 X 1.0	1							
40	2	160393-55050	GASKET, TANK CAP	4							
41	2	24311-000400	O-RING 1A P-40.0	1							
42	2	183671-13211	GASKET, EXH.PIPE	1							