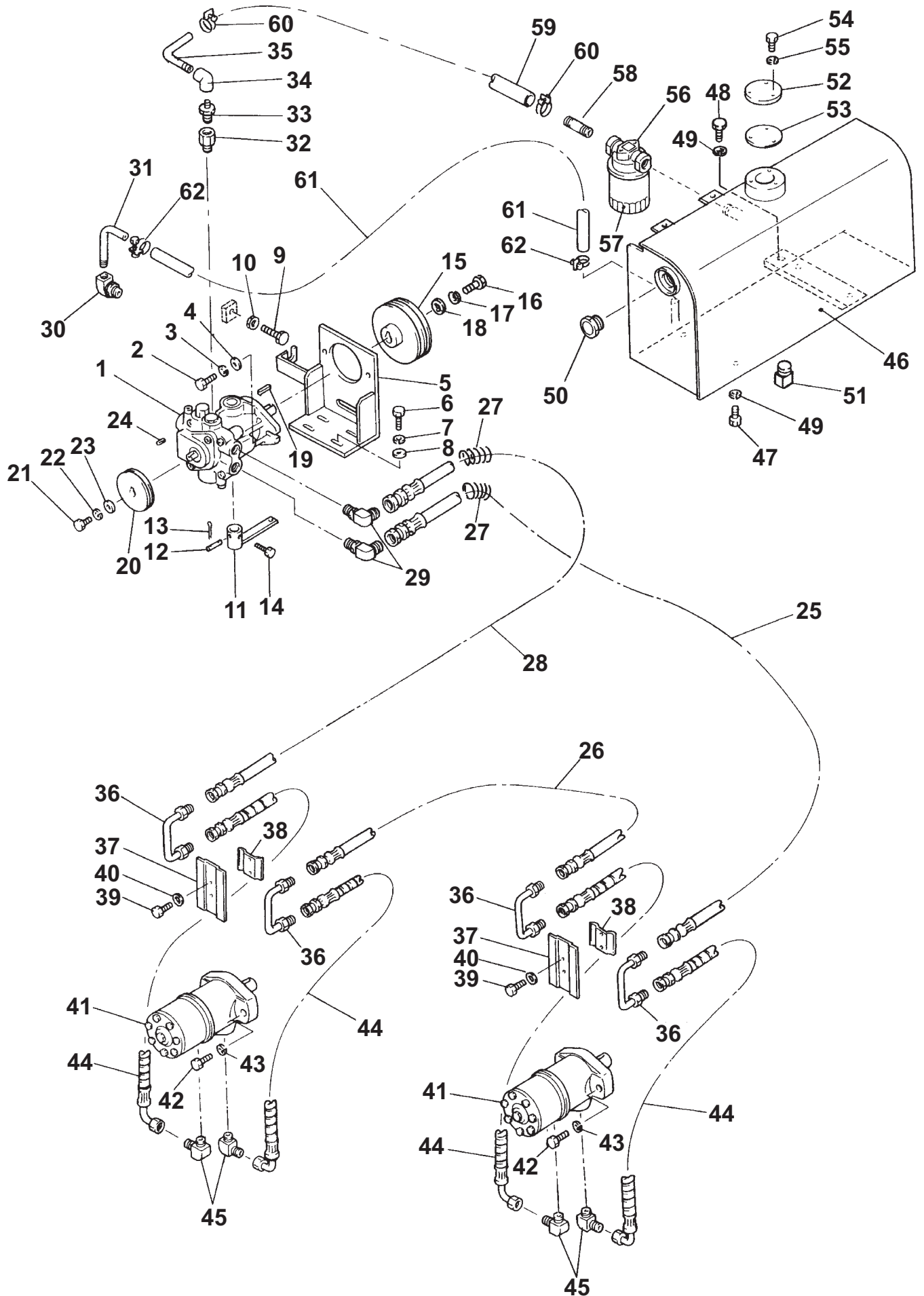
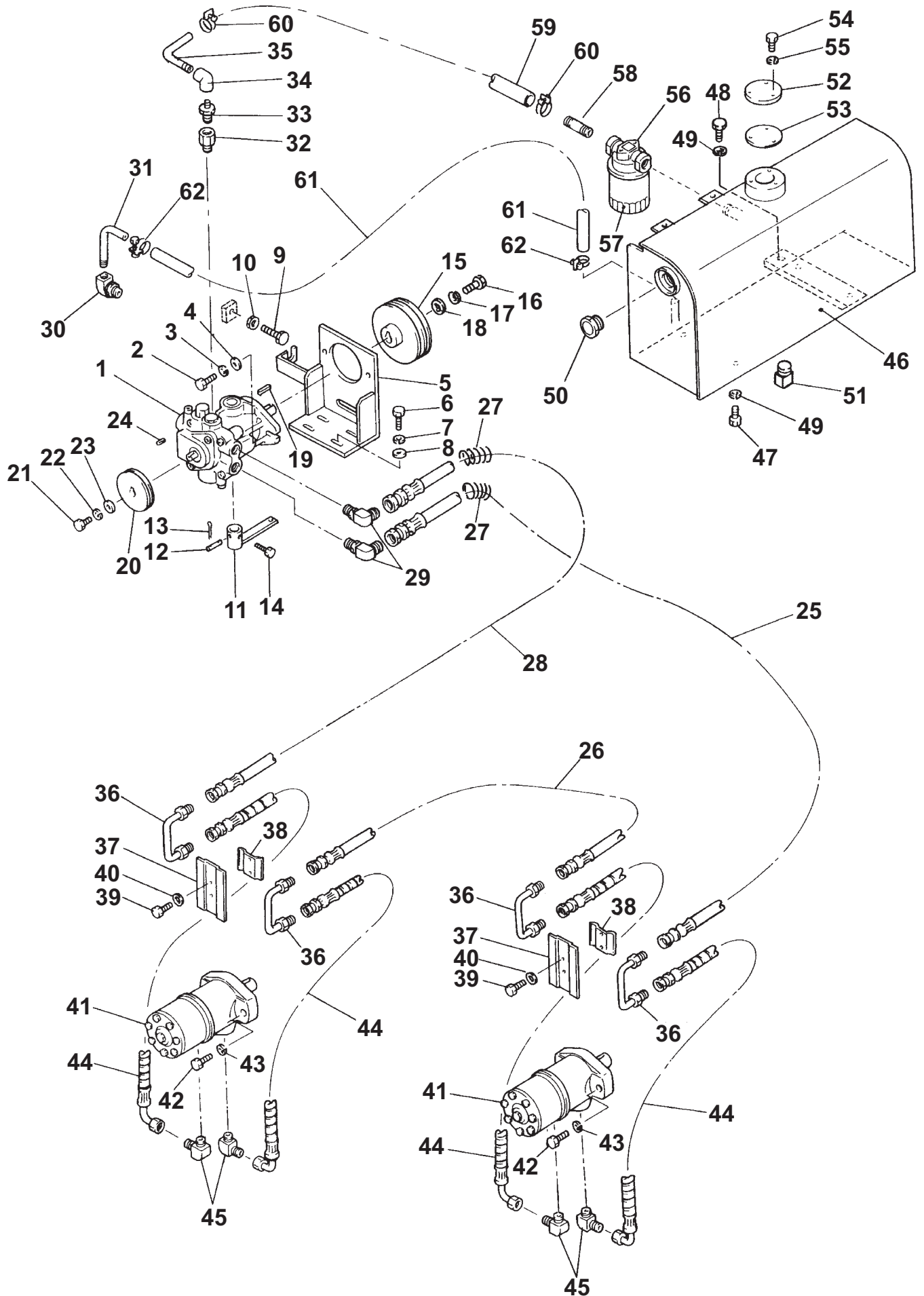


Ref. No.	Part No.	Description	Désignation	Descripción		Qty	Qty	Qty
						650	650	750
						E75NB3	EA300	E75N
1	20/0048	Engine	Moteur	Motor	Kubota E75NB3	1	-	-
1	20/0086	Engine	Moteur	Motor	Kubota EA300	-	1	-
1	20/0049	Engine	Moteur	Motor	Kubota E75N	-	-	1
2	9/10004	Bolt	Boulon	Perno	M10x35	4	4	4
3	4/1003	Washer	Rondelle	Arandela	M10	4	4	4
4	4/1001	Washer	Rondelle	Arandela	M10	4	4	4
5	919/99901	Base	Embase	Base		1	1	1
6	9/10004	Bolt	Boulon	Perno	M10x35	6	6	6
7	4/1003	Washer	Rondelle	Arandela	M10	6	6	6
8	21/0146	Shaft	Axe	Eje		1	1	1
9	9/10004	Bolt	Boulon	Perno	M10x35	3	3	3
10	4/1003	Washer	Rondelle	Arandela	M10	3	3	3
11	21/0147	Clutch	Embrayage	Embrague		1	-	1
11	919/99838	Clutch	Embrayage	Embrague		-	1	-
12	9/10001	Bolt	Boulon	Perno	M10x30	1	1	1
13	4/1003	Washer	Rondelle	Arandela	M10	1	1	1
14	919/99902	Key	Clavette	Clave	7x6x37	1	1	1
15	21/0148	Belt	Courroie	Correa	3V-315	2	2	2
16	919/99903	Throttle Wire	Câble d'accélérateur	Cable del acelerador		1	1	1
17	919/99904	Clamp	Collier	Abrazadera		1	1	1
18	919/99905	Shim	Cale	Cuña		1	1	1
19	9/5003	Bolt	Boulon	Perno	M5x10	2	2	2
20	4/5003	Washer	Rondelle	Arandela	M5	2	2	2
21	3/5040	Rod End	Tête de bielle	Cabeza de biela		1	1	1
22	9/5006	Bolt	Boulon	Perno	M5x16	1	1	1
23	4/5003	Washer	Rondelle	Arandela	M5	1	1	1
24	2/0043	Spring	Ressort	Muelle		1	1	1
25	74/0003	Throttle Lever	Manette d'accélérateur	Palanca de aceleración.		1	1	1
26	74/0004	Cap	Chapeau	Tape		1	1	1
27	9/10007	Bolt	Boulon	Perno	M10x50	1	1	1
28	4/6012	Washer	Rondelle	Arandela		2	2	2
29	4/1001	Washer	Rondelle	Arandela	M10	2	2	2
30	8/10001	Nut	Ecrou	Tuerca	M10	1	1	1
31	919/99906	Tube	Tube	Tubo		1	1	1
32	919/99907	Cable Tie	Serre-câble	Unión cable		2	2	2

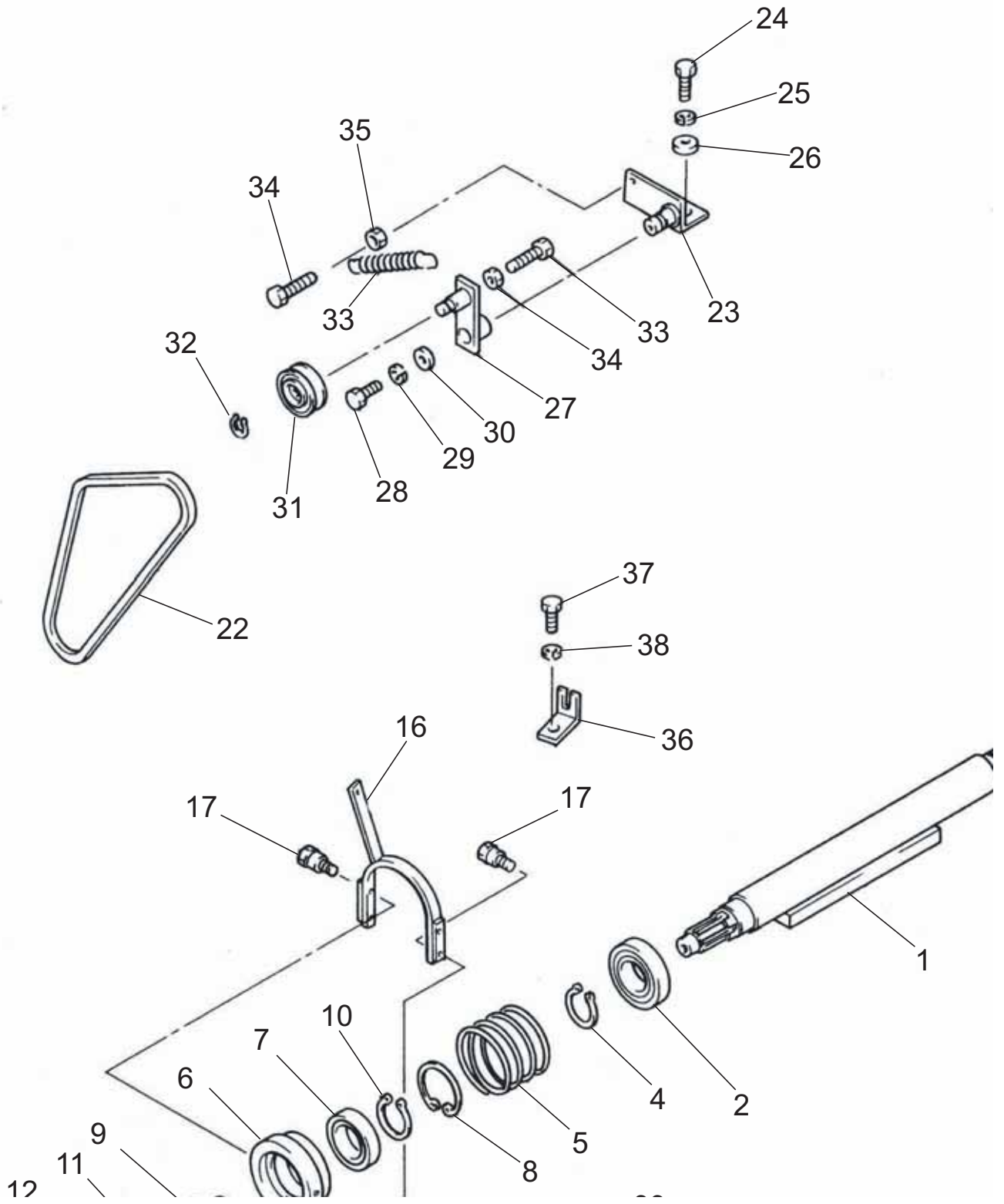
Ref. No.	Part No.	Description	Descrição	Omschrijving		Qty	Qty	Qty
						650	650	750
						E75NB3	EA300	E75N
1	20/0048	Engine	Motor	Motor	Kubota E75NB3	1	-	-
1	20/0086	Engine	Motor	Motor	Kubota EA300	-	1	-
1	20/0049	Engine	Motor	Motor	Kubota E75N	-	-	1
2	9/10004	Bolt	Perno	Bout	M10x35	4	4	4
3	4/1003	Washer	Anilha	Afdichtring	M10	4	4	4
4	4/1001	Washer	Anilha	Afdichtring	M10	4	4	4
5	919/99901	Base	Plaat	Vloerplaat		1	1	1
6	9/10004	Bolt	Perno	Bout	M10x35	6	6	6
7	4/1003	Washer	Anilha	Afdichtring	M10	6	6	6
8	21/0146	Shaft	Veio	As		1	1	1
9	9/10004	Bolt	Perno	Bout	M10x35	3	3	3
10	4/1003	Washer	Anilha	Afdichtring	M10	3	3	3
11	21/0147	Clutch	Koppeling	Embraiagem		1	-	1
11	919/99838	Clutch	Koppeling	Embraiagem		-	1	-
12	9/10001	Bolt	Perno	Bout	M10x30	1	1	1
13	4/1003	Washer	Anilha	Afdichtring	M10	1	1	1
14	919/99902	Key	Chave	Spie	7x6x37	1	1	1
15	21/0148	Belt	Cinta	Reim	3V-315	2	2	2
16	919/99903	Throttle Wire	Cabo do estrangulador	Gaskabel		1	1	1
17	919/99904	Clamp	Klem	Punho		1	1	1
18	919/99905	Shim	Calço	Afstandsring		1	1	1
19	9/5003	Bolt	Perno	Bout	M5x10	2	2	2
20	4/5003	Washer	Anilha	Afdichtring	M5	2	2	2
21	3/5040	Rod End	Tampa da Hasta	Einde Staaf		1	1	1
22	9/5006	Bolt	Perno	Bout	M5x16	1	1	1
23	4/5003	Washer	Anilha	Afdichtring	M5	1	1	1
24	2/0043	Spring	Mola	Veer		1	1	1
25	74/0003	Throttle Lever	Alavanca do estrangulador	Gashendel		1	1	1
26	74/0004	Cap	Tampa	Kap		1	1	1
27	9/10007	Bolt	Perno	Bout	M10x50	1	1	1
28	4/6012	Washer	Anilha	Afdichtring		2	2	2
29	4/1001	Washer	Anilha	Afdichtring	M10	2	2	2
30	8/10001	Nut	Porca	Moer	M10	1	1	1
31	919/99906	Tube	Tubo	Buis		1	1	1
32	919/99907	Cable Tie	Tirante de Cabo	Kabelgat		2	2	2



Ref. No.	Part No.	Description	Désignation	Descripción	Qty 650	Qty 650	Qty 750
1	6/1141	Pump	Pompe	Bombas	1	1	1
2	9/10001	Bolt	Boulon	Perno	2	2	2
3	4/1003	Washer	Rondelle	Arandela	2	2	2
4	4/1010	Washer	Rondelle	Arandela	2	2	2
5	919/99974	Bracket	Sopport Fixation	Soporte	1	1	1
6	9/10001	Bolt	Boulon	Perno	4	4	4
7	4/1003	Washer	Rondelle	Arandela	4	4	4
8	4/1010	Washer	Rondelle	Arandela	4	4	4
9	9/10004	Bolt	Boulon	Perno	1	1	1
10	8/10001	Nut	Ecrou	Tuerca	1	1	1
11	919/99975	Lever	Levier	Palanca	1	1	1
12	3/0056	Pin	Goupille	Pasador	1	1	1
13	3/0057	Pin	Goupille	Pasador	2	2	2
14	9/8033	Bolt	Boulon	Perno	1	1	1
15	919/99976	Pulley (A)	Poulie	Polea	1	1	1
16	9/6017	Bolt	Boulon	Perno	1	1	1
17	4/6005	Washer	Rondelle	Arandela	1	1	1
18	4/6013	Washer	Rondelle	Arandela	1	1	1
19	919/99977	Key	Clavette	Clave	1	1	1
20	919/99978	Pulley (B)	Poulie	Polea	1	1	1
21	9/6016	Bolt	Boulon	Perno	1	1	1
22	4/6005	Washer	Rondelle	Arandela	1	1	1
23	4/6013	Washer	Rondelle	Arandela	1	1	1
24	919/99988	Key	Clavette	Clave	1	1	1
25	31/0124	Hose (A)	Durit	Flexible	1	1	1
26	31/0125	Hose (B)	Durit	Flexible	1	1	1
27	919/99991	Cover	Couverte	Cubierta	1	1	1
28	31/0126	Hose (C)	Durit	Flexible	1	1	1
29	6/0205	Elbow	Coude	Codo	2	2	2
30	6/0206	Elbow	Coude	Codo	1	1	1
31	6/0207	Pipe	Canalisation	Tubo	1	1	1
32	919/99990	Bush	Douille	Casquillo	1	1	1
33	6/0208	Nipple	Graisneur coudé	Niple	1	1	1
34	6/0209	Elbow	Coude	Codo	1	1	1
35	6/0212	Pipe	Canalisation	Tubo	1	1	1
36	919/99989	Pipe	Canalisation	Tubo	4	4	4
37	919/99979	Support (A)	Support	Dispos.de sostén	2	2	2
38	919/99980	Support (B)	Support	Dispos.de sostén	2	2	2
39	9/8034	Bolt	Boulon	Perno	4	4	4
40	4/8001	Washer	Rondelle	Arandela	4	4	4
41	6/1142	Motor (Eaton S-380)	Motor (Eaton S-380)	Motor (Eaton S-380)	2	-	-
41	6/1145	Motor Danfoss DS375	Motor Danfoss DS375	Motor Danfoss DS375	2	-	-
41	6/1145	Motor Danfoss DS375	Motor Danfoss DS375	Motor Danfoss DS375	-	2	-
41	6/1142	Motor (Eaton S-380)	Motor (Eaton S-380)	Motor (Eaton S-380)	-	-	2
41	6/1145	Motor Danfoss DS375	Motor Danfoss DS375	Motor Danfoss DS375	-	-	2
42	9/10001	Bolt	Boulon	Perno	8	8	8
43	4/1003	Washer	Rondelle	Arandela	8	8	8
44	31/0127	Hose (D)	Durit	Flexible	4	4	4
45	6/0210	Elbow	Poulie	Polea	4	4	4
46	919/99981	Oil Tank	Réservoir huile	Depósito aceite	1	-	-
46	919/99839	Oil Tank	Réservoir huile	Depósito aceite	1	-	-
46	919/99981	Oil Tank	Réservoir huile	Depósito aceite	1	-	-
46	919/99839	Oil Tank	Réservoir huile	Depósito aceite	-	1	-
46	919/99981	Oil Tank	Réservoir huile	Depósito aceite	-	-	1
46	919/99839	Oil Tank	Réservoir huile	Depósito aceite	-	-	1
47	9/10021	Bolt	Boulon	Perno	2	2	2
48	9/10001	Bolt	Boulon	Perno	2	2	2
49	4/1003	Washer	Rondelle	Arandela	4	4	4
50	919/99982	Gauge	Appareil indicat	Aparat indicador	1	1	1
51	919/99983	Plug	Bougie	Candela	1	1	1
52	919/99984	Cap	Chapeau	Tapa	1	1	1
53	919/99985	Cap	Chapeau	Tapa	1	1	1
54	9/8035	Bolt	Boulon	Perno	3	3	3
55	4/8003	Washer	Rondelle	Arandela	3	3	3
56	919/99986	Filter Head	Tête de Filtre	Cabeza del filtro	1	1	1
57	919/99987	Filter cartridge	Cartouche Filtrante	Cartucho del filtro	1	1	1
58	6/0211	Nipple	Graisneur coudé	Niple	1	1	1
59	31/0128	Hose	Durit	Flexible	1	1	1
60	919/99992	Clip	Collier	Presilla	2	2	2
61	31/0129	Hose	Durit	Flexible	1	1	1
62	919/99993	Clip	Collier	Presilla	2	2	2

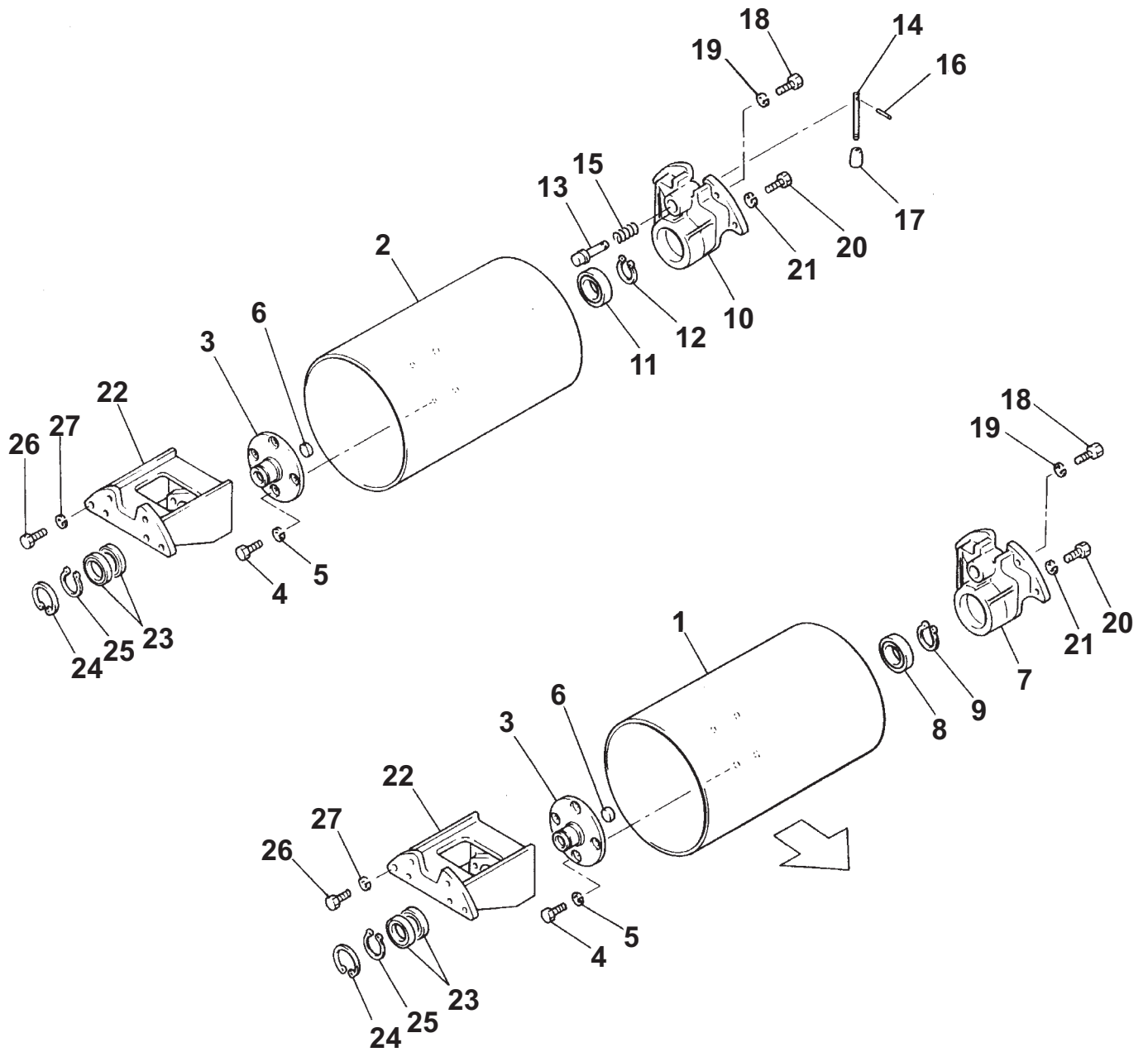


Ref. No.	Part No.	Description	Descrição	Omschrijving	Qty	Qty	Qty	
						650	650	750
					E75NB3	EA300	E75N	
1	6/1141	Pump	Bomba	Pomp	DAIKIN PV10-619	1	1	1
2	9/10001	Bolt	Perno	Bout	M10x30, 8T	2	2	2
3	4/1003	Washer	Anilha	Afdichtring	M10	2	2	2
4	4/1010	Washer	Anilha	Afdichtring	25x10.5x3.2	2	2	2
5	919/99974	Bracket	Suporte	Steun		1	1	1
6	9/10001	Bolt	Perno	Bout	M10x30, 8T	4	4	4
7	4/1003	Washer	Anilha	Afdichtring	M10	4	4	4
8	4/1010	Washer	Anilha	Afdichtring	25x10.5x3.2	4	4	4
9	9/10004	Bolt	Perno	Bout	M10x35, 4T	1	1	1
10	8/10001	Nut	Porca	Moer	M10	1	1	1
11	919/99975	Lever	Alavanca	Hendel		1	1	1
12	3/0056	Pin	Pino	Pen		1	1	1
13	3/0057	Pin	Pino	Pen		2	2	2
14	9/8033	Bolt	Perno	Bout	M8x16, 11T	1	1	1
15	919/99976	Pulley (A)	Polia (A)	Riemschijf (A)		1	1	1
16	6/0207	Bolt	Perno	Bout	M6x20	1	1	1
17	4/6005	Washer	Anilha	Afdichtring	M6	1	1	1
18	4/6013	Washer	Anilha	Afdichtring	35x6.5x4.5	1	1	1
19	919/99977	Key	Chave	Spie	5x5x27	1	1	1
20	919/99978	Pulley (B)	Polia (B)	Riemschijf (B)		1	1	1
21	9/6016	Bolt	Perno	Bout	M6x16 4T	1	1	1
22	4/6005	Washer	Anilha	Afdichtring	M6	1	1	1
23	4/6013	Washer	Anilha	Afdichtring	35x6.5x4.5	1	1	1
24	919/99988	Key	Chave	Spie		1	1	1
25	31/0124	Hose (A)	Tubegem	Slang		1	1	1
26	31/0125	Hose (B)	Tubegem	Slang		1	1	1
27	919/99991	Cover	Tampa	Afdek		1	1	1
28	31/0126	Hose (C)	Tubegem	Slang		1	1	1
29	6/0205	Elbow	Canto	Elleboogstuk	PF3/8xPF3/8	2	2	2
30	6/0206	Elbow	Canto	Elleboogstuk	PF3/8xPT1/4	1	1	1
31	6/0207	Pipe	Tubo	Pijp		1	1	1
32	919/99990	Bush	Bucha	Bus		1	1	1
33	6/0208	Nipple	Bocal	Nippel		1	1	1
34	6/0209	Elbow	Canto	Elleboogstuk		1	1	1
35	6/0212	Pipe	Tubo	Pijp		1	1	1
36	919/99989	Pipe	Tubo	Pijp		4	4	4
37	919/99979	Pipe (A)	Tubo (A)	Pijp (A)		2	2	2
38	919/99980	Pipe (B)	Tubo(B)	Pijp (B)		2	2	2
39	9/8034	Bolt	Perno	Bout	M8x16, 4T	4	4	4
40	4/8001	Washer	Anilha	Afdichtring	M8	4	4	4
41	6/1142	Motor (Eaton S-380)	Motor (Eaton S-380)	Motor (Eaton S-380)	→ I 0307025	2	-	-
41	6/1145	Motor Danfoss DS375	Motor Danfoss DS375	Motor Danfoss DS375	→ I 0310038	2	-	-
41	6/1145	Motor Danfoss DS375	Motor Danfoss DS375	Motor Danfoss DS375	→ I 0403001	-	2	-
41	6/1142	Motor (Eaton S-380)	Motor (Eaton S-380)	Motor (Eaton S-380)	→ I 0307030	-	-	2
41	6/1145	Motor Danfoss DS375	Motor Danfoss DS375	Motor Danfoss DS375	→ I 0310048	-	-	2
42	9/10001	Bolt	Perno	Bout	M10x30, 8T	8	8	8
43	4/1003	Washer	Anilha	Afdichtring	M10	8	8	8
44	31/0127	Hose (D)	Tubegem	Slang		4	4	4
45	6/0210	Elbow	Canto	Elleboogstuk		4	4	4
46	919/99981	Oil Tank	Despósito de óleo	Olie Tank	→ I 341402	1	-	-
46	919/99839	Oil Tank	Despósito de óleo	Olie Tank	→ I 341403	1	-	-
46	919/99981	Oil Tank	Despósito de óleo	Olie Tank	→ I 351030	-	1	-
46	919/99839	Oil Tank	Despósito de óleo	Olie Tank	→ I 351031	-	1	-
46	919/99981	Oil Tank	Despósito de óleo	Olie Tank	→ I 361033	-	-	1
46	919/99839	Oil Tank	Despósito de óleo	Olie Tank	→ I 361034	-	-	1
47	9/10021	Bolt	Perno	Bout	M10x30	2	2	2
48	9/10001	Bolt	Perno	Bout	M10x30	2	2	2
49	4/1003	Washer	Anilha	Afdichtring	M10	4	4	4
50	919/99982	Gauge	Vareta de medição de óleo.	Olieplug		1	1	1
51	919/99983	Plug	Bujão	Plug		1	1	1
52	919/99984	Cap	Tampa	Kap		1	1	1
53	919/99985	Cap	Tampa	Kap		1	1	1
54	9/8035	Bolt	Perno	Bout	M8x20	3	3	3
55	4/8003	Washer	Anilha	Afdichtring	M8	3	3	3
56	919/99986	Filter Head	Cabeça do filtro	Filtertop		1	1	1
57	919/99987	Filter cartridge	Cartucho do filtro	Filter Cartridge		1	1	1
58	6/0211	Nipple	Bocal	Nippel		1	1	1
59	31/0128	Hose	Tubegem	Slang	30 x 19 x L300	1	1	1
60	919/99992	Clip	Grampo	Klem	34	2	2	2
61	31/0129	Hose	Tubegem	Slang	20 x 13 x L380	1	1	1
62	919/99993	Clip	Grampo	Klem	23	2	2	2



Ref. No.	Part No.	Description	Désignation	Descripción	Qty 650 E75NB3	Qty 650 EA300	Qty 750 E75N
1	919/99908	Shaft	Axe	Eje	1	1	1
2	53/0020	Bearing	Palier	Cojinete	→ 341448	-	-
2	919/99822	Bearing	Palier	Cojinete	→ 341449	-	-
2	53/0020	Bearing	Palier	Cojinete	→ 351030	-	-
2	919/99822	Bearing	Palier	Cojinete	→ 351031	-	-
2	53/0020	Bearing	Palier	Cojinete	→ 361041	-	-
2	919/99822	Bearing	Palier	Cojinete	→ 361042	-	-
3	3/9014	Snap Ring	Jonc d'arrêt	Anillo a presión	R90	1	1
4	3/9015	Snap Ring	Jonc d'arrêt	Anillo a presión	S40	2	2
5	2/0044	Spring	Ressort	Muelle		1	1
6	919/99909	Shifter	Levier	Palanca de desplazamiento		1	1
7	53/0021	Bearing	Palier	Cojinete	6009LLUC3	1	1
8	3/9016	Snap Ring	Jonc d'arrêt	Anillo a presión	R75	1	1
9	919/99910	Pulley	Poulie	Polea		1	1
10	3/9017	Snap Ring	Jonc d'arrêt	Anillo a presión	S45	1	1
11	919/99911	Collar	Collerette	Collar		1	1
12	53/0022	Bearing	Palier	Cojinete	6205ZZ	1	1
13	919/99912	Pulley	Poulie	Polea		1	1
14	9/8036	Bolt	Boulon	Perno	M8x25	1	1
15	4/8003	Washer	Rondelle	Arandela	M8	1	1
16	919/99913	Lever	Levier	Palanca		1	1
17	919/99914	Bolt (B)	Boulon	Perno		4	4
18	919/99915	Support	Support	Dispos.de sostén		1	1
19	9/10001	Bolt	Boulon	Perno	M10 x 30	2	2
20	4/1003	Washer	Rondelle	Arandela	M10	2	2
21	4/1010	Washer	Rondelle	Arandela	25x10.5x3.2	2	2
22	21/0150	V-belt	Courroie	Correa	A-33" RED	1	1
23	919/99916	Bracket	Support fixation	Soporte		1	1
24	9/8037	Bolt	Boulon	Perno	M8x25	2	2
25	4/8003	Washer	Rondelle	Arandela	M8	2	2
26	4/8014	Washer	Rondelle	Arandela	25x8.5x3.2	2	2
27	919/99917	Belt Tension	Tendeur de Courroie	Tensionador Correa		1	1
28	9/10023	Bolt	Boulon	Perno	M10x20	1	1
29	4/1003	Washer	Rondelle	Arandela	M10	1	1
30	4/1010	Washer	Rondelle	Arandela	25x8.5x3.2	1	1
31	919/99918	Idler	Poulie Tension	Polea Loca	TPAV-70	1	1
32	3/9018	Snap Ring	Jonc d'arrêt	Anillo a presión	S15	1	1
33	2/0045	Spring	Ressort	Muelle		1	1
34	9/10024	Bolt	Boulon	Perno	M10x35	4	4
35	8/10001	Nut	Ecrou	Tuerca	M10	2	2
36	919/99919	Support	Support	Dispos.de sostén		1	1
37	9/8037	Bolt	Boulon	Perno	M8x25	1	1
38	4/8003	Washer	Rondelle	Arandela	M8	1	1

Ref. No.	Part No.	Description	Descrição	Omschrijving	Qty 650 E75NB3	Qty 650 EA300	Qty 750 E75N
1	919/99908	Shaft	Veio	As	1	1	1
2	53/0020	Bearing	Rolamento	Lager	→ 341448	-	-
2	919/99822	Bearing	Rolamento	Lager	→ 341449	-	-
2	53/0020	Bearing	Rolamento	Lager	→ 351030	-	-
2	919/99822	Bearing	Rolamento	Lager	→ 351031	-	-
2	53/0020	Bearing	Rolamento	Lager	→ 361041	-	-
2	919/99822	Bearing	Rolamento	Lager	→ 361042	-	-
3	3/9014	Snap Ring	Anel de Mola	Borgveer	R90	1	1
4	3/9015	Snap Ring	Anel de Mola	Borgveer	S40	2	2
5	2/0044	Spring	Mola	Veer		1	1
6	919/99909	Shifter	Deslocador	Draaier		1	1
7	53/0021	Bearing	Rolamento	Lager	6009LLUC3	1	1
8	3/9016	Snap Ring	Anel de Mola	Borgveer	R75	1	1
9	919/99910	Pulley	Polia	Riemschijf		1	1
10	3/9017	Snap Ring	Anel de Mola	Borgveer	S45	1	1
11	919/99911	Collar	Braçadeira	Kraag		1	1
12	53/0022	Bearing	Rolamento	Lager	6205ZZ	1	1
13	919/99912	Pulley	Polia	Riemschijf		1	1
14	9/8036	Bolt	Perno	Bout	M8x25	1	1
15	4/8003	Washer	Anilha	Afdichtring	M8	1	1
16	919/99913	Lever	Alavanca	Hendel		1	1
17	919/99914	Bolt (B)	Perno	Bout		4	4
18	919/99915	Bracket	Suporte	Steun		1	1
19	9/10001	Bolt	Perno	Bout	M10 x 30	2	2
20	4/1003	Washer	Anilha	Afdichtring	M10	2	2
21	4/1010	Washer	Anilha	Afdichtring	25x10.5x3.2	2	2
22	21/0150	Belt	Cinta	Riem	A-33" RED	1	1
23	919/99916	Bracket	Suporte	Steun		1	1
24	9/8037	Bolt	Perno	Bout	M8x25	2	2
25	4/8003	Washer	Anilha	Afdichtring	M8	2	2
26	4/8014	Washer	Anilha	Afdichtring	25x8.5x3.2	2	2
27	919/99917	Belt Tension	Tensão da correia	Snaarspanning		1	1
28	9/10023	Bolt	Perno	Bout	M10x20	1	1
29	4/1003	Washer	Anilha	Afdichtring	M10	1	1
30	4/1010	Washer	Anilha	Afdichtring	25x8.5x3.2	1	1
31	919/99918	Idler	Neutro	Riemschijf	TPAV-70	1	1
32	3/9018	Snap Ring	Anel de Mola	Borgveer	S15	1	1
33	2/0045	Spring	Mola	Veer		1	1
34	9/10024	Bolt	Perno	Bout	M10x35	2	2
35	8/10001	Nut	Porca	Moer	M10	2	2
36	919/99919	Bracket	Suporte	Steun		1	1
37	9/8037	Bolt	Perno	Bout	M8x25	1	1
38	4/8003	Washer	Anilha	Afdichtring	M8	1	1

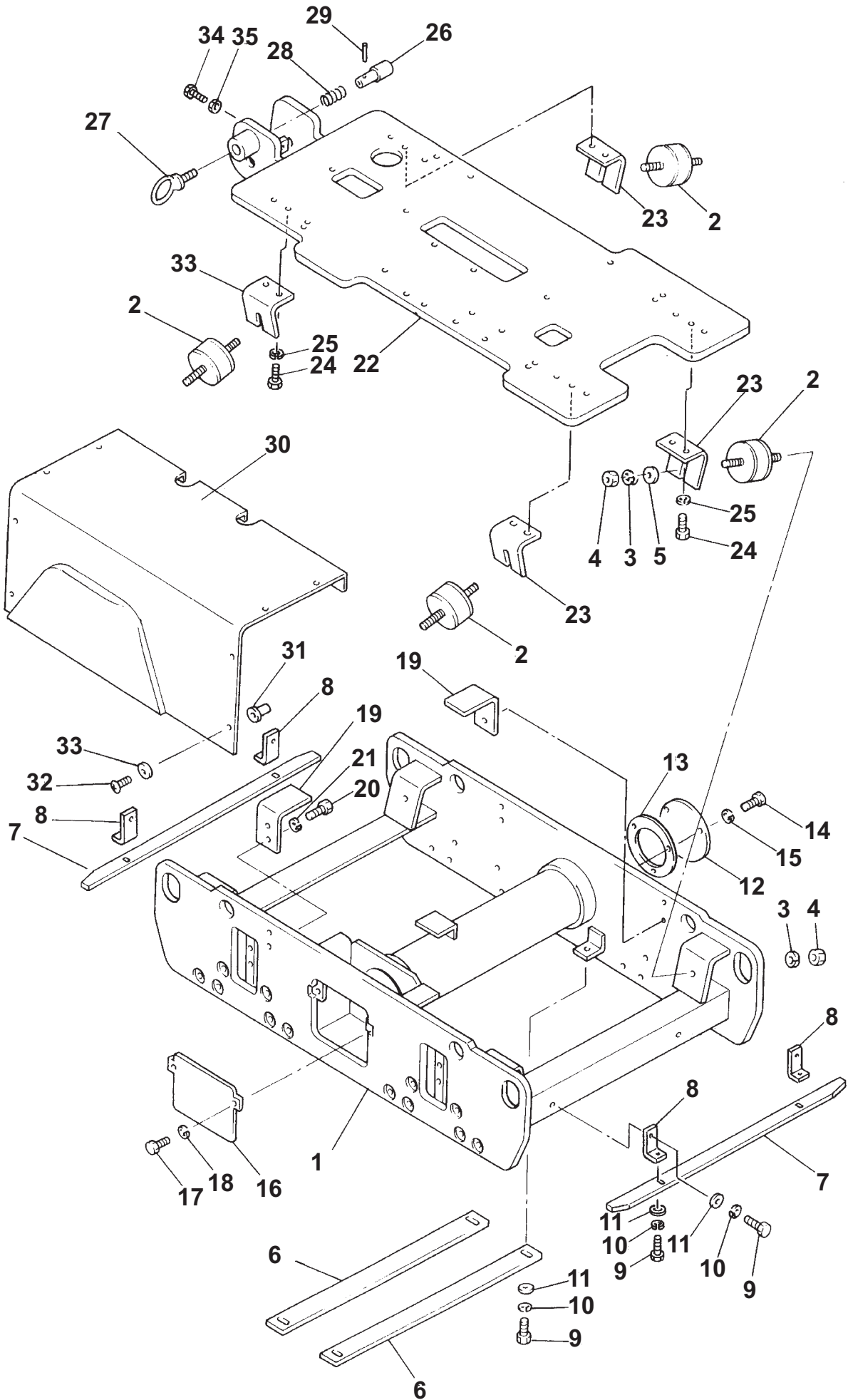


Roller Unit

4-01

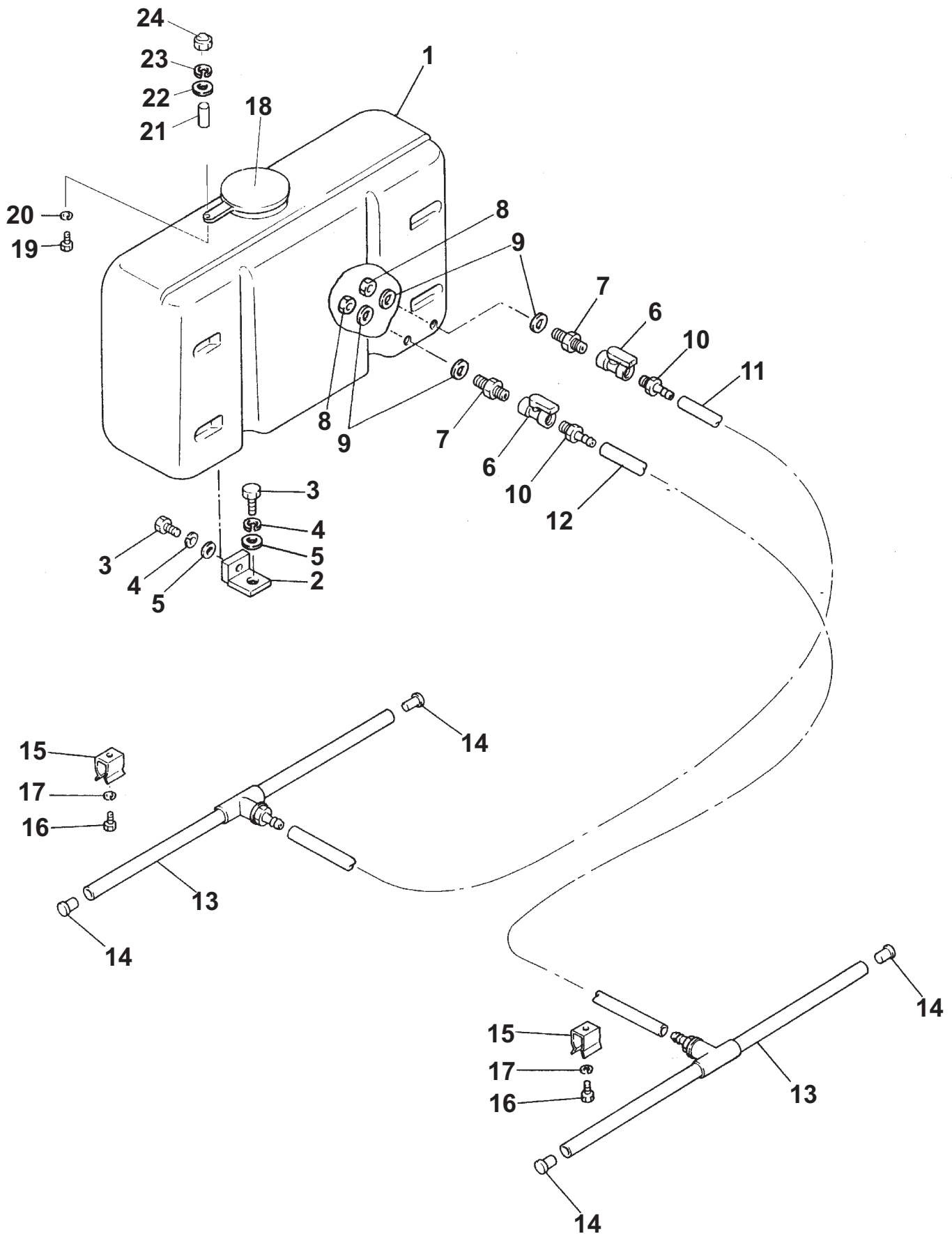
Ref. No.	Part No.	Description	Désignation	Descripción	Qty	Qty	Qty
					650	650	750
1	919/99920	Drum	Tambour	Tamburo	E75NB3 1	EA300 1	E75N -
	919/99921	Drum	Tambour	Tamburo	-	-	1
2	919/99922	Drum	Tambour	Tamburo	1	1	-
	919/99923	Drum	Tambour	Tamburo	-	-	1
3	919/99924	Shaft	Axe	Eje	2	2	2
4	9/12020	Bolt	Boulon	Perno	M12x30, 8T 8	8	8
5	4/1202	Washer	Rondelle	Arandela	M12 8	8	8
6	6/2015	Plug	Bougie	Candela	2	2	2
7	919/99925	Bracket	Support fixation	Soporte	1	1	1
8	53/0023	Bearing	Palier	Cojinete	6210LLU 1	1	1
9	3/9019	Snap Ring	Jonc d'arrêt	Anillo a presión	S50 1	1	1
10	919/99926	Bracket	Support fixation	Soporte	1	1	1
11	53/0023	Bearing	Palier	Cojinete	6210LLU 1	1	1
12	3/9019	Snap Ring	Jonc d'arrêt	Anillo a presión	S50 1	1	1
13	919/99817	Shaft	Axe	Eje	1	1	1
14	74/0005	Handle	Guidon	Manillar	1	1	1
15	2/0047	Spring	Ressort	→ 341345 1	1	1	1
15	2/0046	Spring	Ressort	→ 341346 1	1	1	1
15	2/0047	Spring	Ressort	→ 351030 1	1	1	1
15	2/0046	Spring	Ressort	→ 351031 1	1	1	1
15	2/0047	Spring	Ressort	→ 361029 1	1	1	1
15	2/0046	Spring	Ressort	→ 361030 1	1	1	1
16	3/0058	Pin	Goupille	Pasador	1	1	1
17	74/0006	Grip	Poignée	Asas	1	1	1
18	9/12020	Bolt	Boulon	Perno	M12x30, 8T 12	12	12
19	4/1202	Washer	Rondelle	Arandela	M12 12	12	12
20	9/10023	Bolt	Boulon	Perno	M10x20, 4T 2	2	2
21	4/1003	Washer	Rondelle	Arandela	M10 2	2	2
22	919/99928	Bracket	Support fixation	Soporte	2	2	2
23	53/0024	Bearing	Palier	Cojinete	6010LLU 4	4	4
24	3/9020	Snap Ring	Jonc d'arrêt	Anillo a presión	R80 2	2	2
25	3/9019	Snap Ring	Jonc d'arrêt	Anillo a presión	S50 2	2	2
26	9/12020	Bolt	Boulon	Perno	M12x30, 8T 12	12	12
27	4/1202	Washer	Rondelle	Arandela	M12 12	12	12

Ref. No.	Part No.	Description	Descrição	Omschrijving	Qty	Qty	Qty
					650	650	750
1	919/99920	Drum	Tambor	Messenrol	E75NB3 1	EA300 1	E75N -
	919/99921	Drum	Tambor	Messenrol	-	-	1
2	919/99922	Drum	Tambor	Messenrol	1	1	-
	919/99923	Drum	Tambor	Messenrol	-	-	1
3	919/99924	Shaft	Veio	As	2	2	2
4	9/12020	Bolt	Perno	Bout	M12x30, 8T 8	8	8
5	4/1202	Washer	Anilha	Afdichtring	M12 8	8	8
6	6/2015	Plug	Bujão	Plug	2	2	2
7	919/99925	Bracket	Suporte	Steun	1	1	1
8	53/0023	Bearing	Rolamento	Lager	6210LLU 1	1	1
9	3/9019	Snap Ring	Anel de Mola	Borgveer	S50 1	1	1
10	919/99926	Bracket	Suporte	Steun	1	1	1
11	53/0023	Bearing	Rolamento	Lager	6210LLU 1	1	1
12	3/9019	Snap Ring	Anel de Mola	Borgveer	S50 1	1	1
13	919/99817	Shaft	Veio	As	1	1	1
14	74/0005	Handle	Alavanca	Hendel	1	1	1
15	2/0047	Spring	Mola	→ 341345 1	1	1	1
15	2/0046	Spring	Mola	→ 341346 1	1	1	1
15	2/0047	Spring	Mola	→ 351030 1	1	1	1
15	2/0046	Spring	Mola	→ 351031 1	1	1	1
15	2/0047	Spring	Mola	→ 361029 1	1	1	1
15	2/0046	Spring	Mola	→ 361030 1	1	1	1
16	3/0058	Pin	Pino	Pen	1	1	1
17	74/0006	Grip	Mãosotas	Handgrepen	1	1	1
18	9/12020	Bolt	Perno	Bout	M12x30, 8T 12	12	12
19	4/1202	Washer	Anilha	Afdichtring	M12 12	12	12
20	9/10023	Bolt	Perno	Bout	M10x20, 4T 2	2	2
21	4/1003	Washer	Anilha	Afdichtring	M10 2	2	2
22	919/99928	Bracket	Suporte	Steun	2	2	2
23	53/0024	Bearing	Rolamento	Lager	6010LLU 4	4	4
24	3/9020	Snap Ring	Anel de Mola	Borgveer	R80 2	2	2
25	3/9019	Snap Ring	Anel de Mola	Borgveer	S50 2	2	2
26	9/12020	Bolt	Perno	Bout	M12x30, 8T 12	12	12
27	4/1202	Washer	Anilha	Afdichtring	M12 12	12	12



Ref. No.	Part No.	Description	Désignation	Descripción	Qty	Qty	Qty
					650	650	750
					E75NB3	EA300	E75N
1	919/99929	Main Frame	Châssis principal	Armazón principal	1	1	1
2	21/0151	Isolator	Isolateur	Aislador	4	4	4
3	4/1202	Washer	Rondelle	Arandela	8	8	8
4	8/12001	Nut	Ecrou	Tuerca	8	8	8
5	4/1212	Washer	Rondelle	Arandela	4	4	4
6	919/99930	Scraper	Racleur	Arrastre	2	2	2
7	919/99931	Scraper	Racleur	Arrastre	2	2	2
8	919/99932	Bracket	Support fixation	Soporte	4	4	4
9	9/10025	Bolt	Boulon	Perno	12	12	12
10	4/1003	Washer	Rondelle	Arandela	12	12	12
11	4/1010	Washer	Rondelle	Arandela	12	12	12
12	919/99933	Cover	Couvercle	Coperchio	1	1	1
13	919/99934	Cover	Couvercle	Coperchio	1	1	1
14	9/6016	Bolt	Boulon	Perno	3	3	3
15	4/6005	Washer	Rondelle	Arandela	3	3	3
16	919/99935	Cover	Couvercle	Coperchio	1	1	1
17	9/8034	Bolt	Boulon	Perno	2	2	2
18	4/8003	Washer	Rondelle	Arandela	2	2	2
19	919/99936	Bracket	Support fixation	Soporte	2	2	2
20	9/10025	Bolt	Boulon	Perno	4	4	4
21	4/1003	Washer	Rondelle	Arandela	4	4	4
22	919/99937	Base	Semelle	Base	1	1	1
23	919/99938	Support	Support	Dispos.de sostén	4	4	4
24	9/10025	Bolt	Boulon	Perno	8	8	8
25	4/1003	Washer	Rondelle	Arandela	8	8	8
26	919/99939	Pin	Goupille	Perno	1	1	1
27	919/99940	Bolt	Boulon	Perno	1	1	1
28	2/0047	Spring	Ressort	Muelle	1	1	1
29	3/0059	Pin	Goupille	Perno	1	1	1
30	919/99941	Cover	Couvercle	Coperchio	1	-	-
30	919/99941	Cover	Couvercle	Coperchio	-	1	-
30	919/99941	Cover	Couvercle	Coperchio	-	-	1
30	919/99818	Cover	Couvercle	Coperchio	1	-	1
30	919/99818	Cover	Couvercle	Coperchio	-	1	-
30	919/99818	Cover	Couvercle	Coperchio	1	-	-
30	919/99818	Cover	Couvercle	Coperchio	-	1	-
30	919/99818	Cover	Couvercle	Coperchio	-	-	1
30	919/99818	Cover	Couvercle	Coperchio	-	-	1
31	919/99942	Bolt Holder	Écrou	Perno de anclaje	8	8	8
32	9/6018	Bolt	Boulon	Perno	8	8	8
33	4/6003	Washer	Rondelle	Arandela	8	8	8
34	9/10001	Bolt	Boulon	Perno	1	1	1
35	8/10001	Nut	Ecrou	Tuerca	1	1	1

Ref. No.	Part No.	Description	Descrição	Omschrijving	Qty	Qty	Qty
					650	650	750
					E75NB3	EA300	E75N
1	919/99929	Main Frame	Estrutura principal	Hoofdframe	1	1	1
2	21/0151	Isolator	Isolador	Isolatieschakelaar	4	4	4
3	4/1202	Washer	Anilha	Afdichtring	8	8	8
4	8/12001	Nut	Porca	Moer	8	8	8
5	9/10025	Washer	Anilha	Afdichtring	4	4	4
6	919/99930	Scraper	Raspadeira	Schraper	2	2	2
7	919/99931	Scraper	Raspadeira	Schraper	2	2	2
8	919/99932	Bracket	Suporte	Steun	4	4	4
9	9/10025	Bolt	Perno	Bout	12	12	12
10	4/1003	Washer	Anilha	Afdichtring	12	12	12
11	4/1010	Washer	Anilha	Afdichtring	12	12	12
12	919/99933	Cover	Tampa	Afdek	1	1	1
13	919/99934	Cover	Tampa	Afdek	1	1	1
14	9/6016	Bolt	Perno	Bout	3	3	3
15	4/6005	Washer	Anilha	Afdichtring	3	3	3
16	919/99935	Cover	Tampa	Afdek	1	1	1
17	9/8034	Bolt	Perno	Bout	2	2	2
18	4/8003	Washer	Anilha	Afdichtring	2	2	2
19	919/99936	Bracket	uporte	Steun	2	2	2
20	9/10025	Bolt	Perno	Bout	4	4	4
21	4/1003	Washer	Anilha	Afdichtring	4	4	4
22	919/99937	Base	Vloerplaat	Base	1	1	1
23	919/99938	Bracket	Suporte	Steun	4	4	4
24	9/10025	Bolt	Perno	Bout	8	8	8
25	4/1003	Washer	Anilha	Afdichtring	8	8	8
26	919/99939	Pin	Pino	Pen	1	1	1
27	919/99940	Bolt	Perno	Bout	1	1	1
28	2/0047	Spring	Mola	Veer	1	1	1
29	3/0059	Pin	Pino	Pen	1	1	1
30	919/99941	Cover	Tampa	Afdek	1	-	-
30	919/99941	Cover	Tampa	Afdek	-	1	-
30	919/99941	Cover	Tampa	Afdek	-	-	1
30	919/99818	Cover	Tampa	Afdek	1	-	1
30	919/99818	Cover	Tampa	Afdek	-	1	-
30	919/99818	Cover	Tampa	Afdek	1	-	-
30	919/99818	Cover	Tampa	Afdek	-	1	-
30	919/99818	Cover	Tampa	Afdek	-	-	1
30	919/99818	Cover	Tampa	Afdek	-	-	1
31	919/99942	Bolt Holder	Suporte do parafuso	Bouthouder	8	8	8
32	9/6018	Bolt	Perno	Bout	8	8	8
33	4/6003	Washer	Anilha	Afdichtring	8	8	8
34	9/10001	Bolt	Perno	Bout	1	1	1
35	8/10001	Nut	Porca	Moer	1	1	1

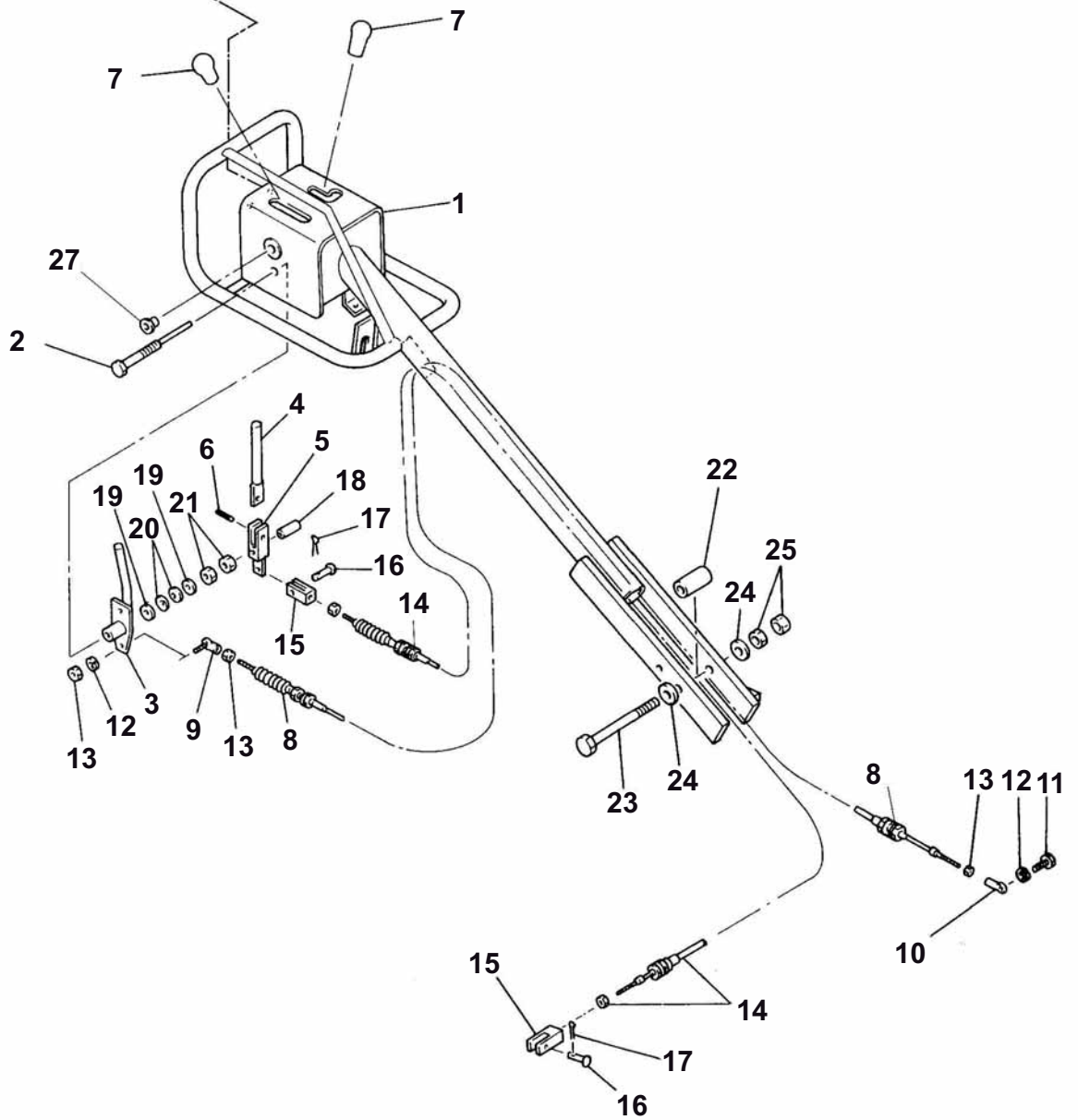
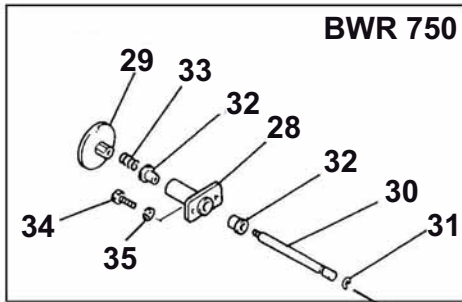


Sprinkler Unit

6-01

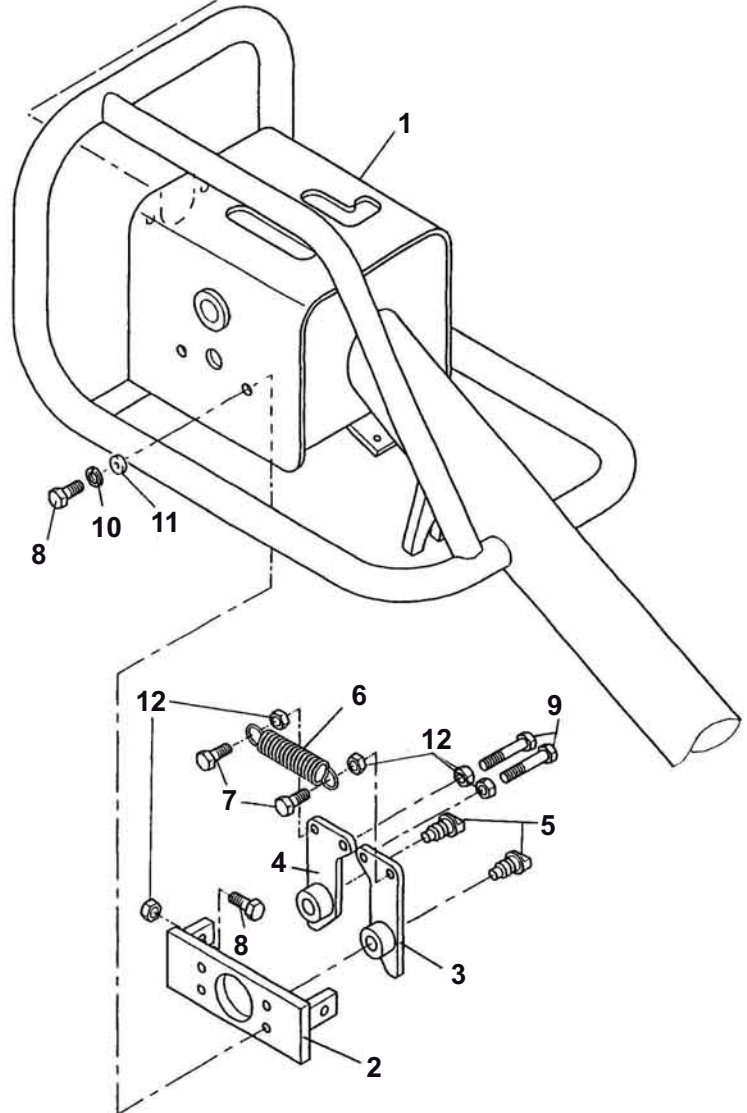
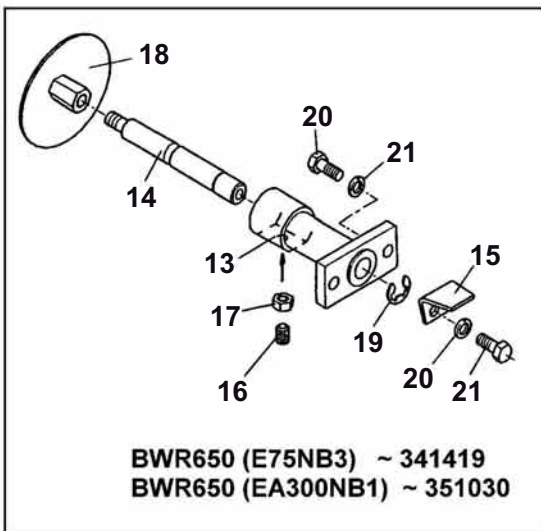
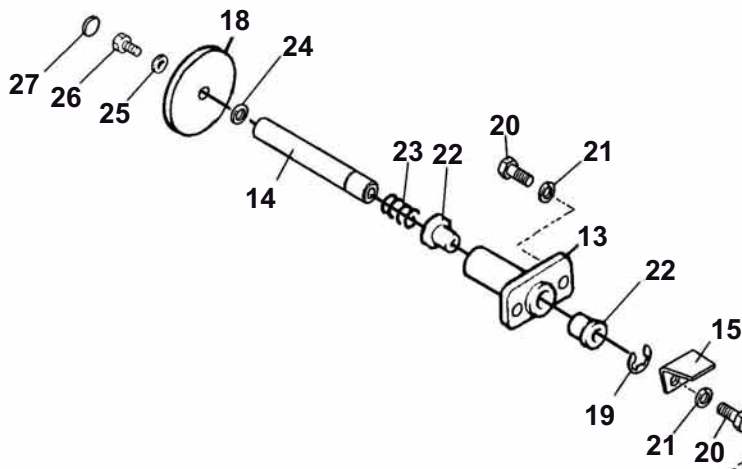
Ref. No.	Part No.	Description	Désignation	Descripción	Qty	Qty	Qty	
					650	650	750	
					E75NB3	EA300	E75N	
1	919/99943	Water Tank	Réservoir eau	Depos. de agua	1	1	1	
2	919/99944	Support	Support	Dispos. de sostén	3	3	3	
3	9/10002	Bolt	Boulon	Perno	M10x20	6	6	6
4	4/1003	Washer	Rondelle	Arandela	M10	6	6	6
5	4/1011	Washer	Rondelle	Arandela	25x10.5x3.2	6	6	6
6	6/0203	Cock	Robinet	Aguja indicadora		2	2	2
7	919/99994	Connector	Borne	Conector		2	2	2
8	8/14010	Nut	Ecrou	Tuerca		2	2	2
9	919/99995	Packing	Garniture étanch	Empaquetadura		4	4	4
10	6/0204	Nipple	Graisser coudé	Niple	3/8	2	2	2
11	919/99996	Hose (A)	Durit	Flexible		1	1	1
12	919/99997	Hose (B)	Durit	Flexible		1	1	1
13	919/99945	Nozzle	Nez injecteur	Tobera		1	1	1
14	919/99946	Cap	Chapeau	Tapa		4	4	4
15	919/99947	Catch	Loquet porte	Fijador		4	4	4
16	9/08038	Bolt	Boulon	Perno	M8x16	4	4	4
17	4/8003	Washer	Rondelle	Arandela	M8	4	4	4
18	919/99804	Cap	Chapeau	Tapa		1	1	1
19	9/1004	Bolt	Boulon	Perno	M10 x 35	1	1	1
20	4/1005	Washer	Rondelle	Arandela	M10	1	1	1
21	919/99805	Collar	Collier	Casquillo		1	1	1
22	4/3003	Washer	Rondelle	Arandela	30 x 10.5 x 3.2	1	1	1
23	4/1003	Washer	Rondelle	Arandela	M10	1	1	1
24	8/10011	Nut	Ecrou	Tuerca	M10	1	1	1

Ref. No.	Part No.	Description	Descrição	Omschrijving	Qty	Qty	Qty	
					650	650	750	
					E75NB3	EA300	E75N	
1	919/99943	Water Tank	Tanque de água	Watertank		1	1	1
2	919/99944	Bracket	Suporte	Steun		3	3	3
3	9/10002	Bolt	Perno	Bout	M10x20	6	6	6
4	4/1003	Washer	Anilha	Afdichtring	M10	6	6	6
5	4/1010	Washer	Anilha	Afdichtring	25x10.5x3.2	6	6	6
6	6/0203	Cock	Válvula de líquido	Brandstoffkraan		2	2	2
7	919/99994	Connector	Conector	Verbindingsstuk		2	2	2
8	8/14010	Nut	Porca	Moer		2	2	2
9	919/99995	Packing	Caixa de Empanque	Pakkingstrip		4	4	4
10	6/0204	Nipple	Bocal	Nippel	3/8	2	2	2
11	919/99996	Hose (A)	Tube gem	Slang		1	1	1
12	919/99997	Hose (B)	Tube gem	Slang		1	1	1
13	919/99945	Nozzle	Bico	Sproeier		1	1	1
14	919/99946	Cap	Tampa	Kap		4	4	4
15	919/99947	Catch	Trinco	Vanger		4	4	4
16	9/08038	Bolt	Perno	Bout	M8x16	4	4	4
17	4/8003	Washer	Anilha	Afdichtring	M8	4	4	4
18	919/99804	Cap	Tampa	Kap		1	1	1
19	9/1004	Bolt	Boulon	Perno	M10 x 35	1	1	1
20	4/1005	Washer	Anilha	Afdichtring	M10	1	1	1
21	919/99805	Collar	Braçadeira	Kraag		1	1	1
22	4/3003	Washer	Anilha	Afdichtring	30 x 10.5 x 3.2	1	1	1
23	4/1003	Washer	Anilha	Afdichtring	M10	1	1	1
24	8/10011	Nut	Porca	Moer	M10	1	1	1



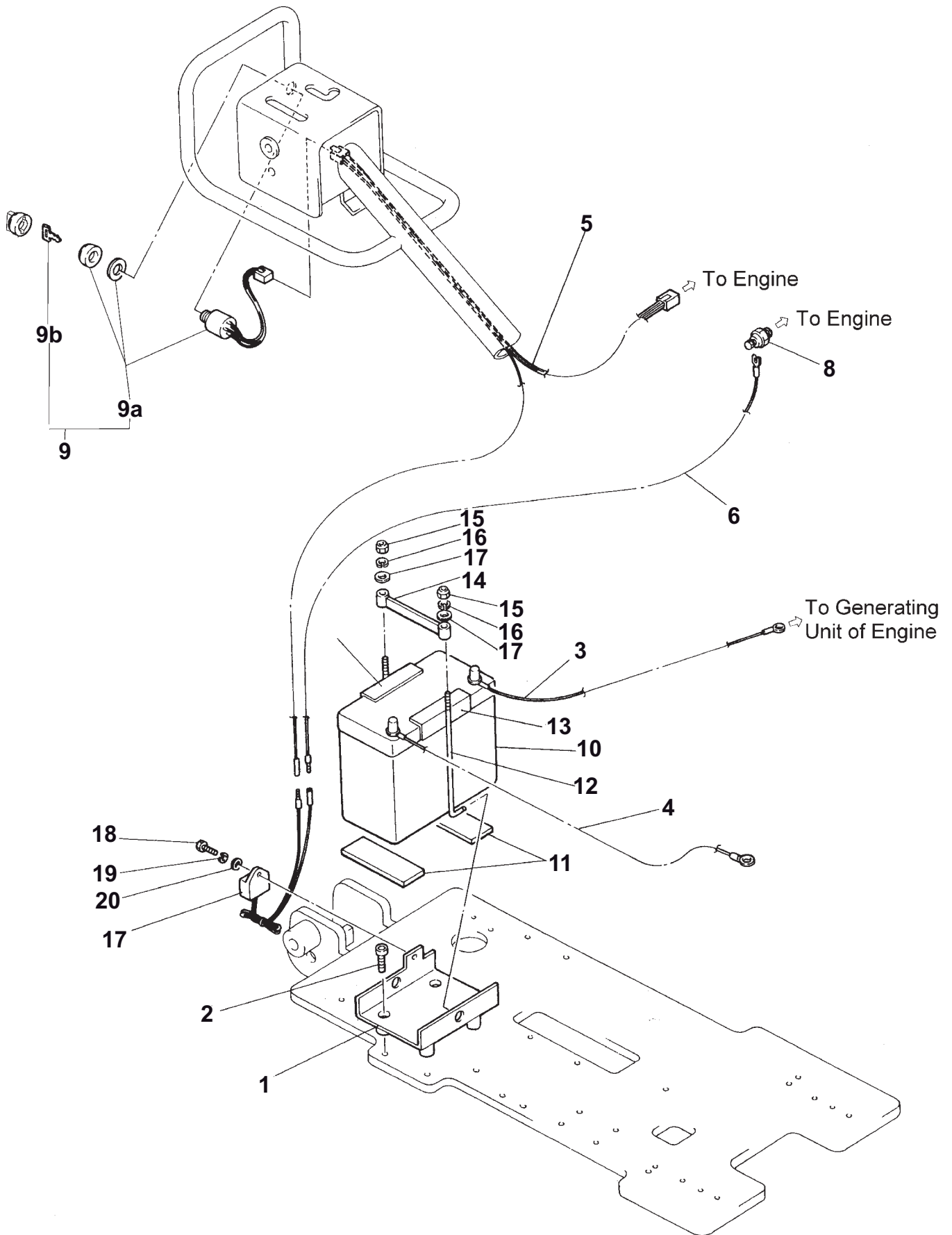
Ref. No.	Part No.	Description	Désignation	Descripción	Qty	Qty	Qty
					650	650	750
					E75NB3	EA300	E75N
1	919/99948	Handle	Guidon	Manillar	-	-	1
1	919/99949	Handle	Guidon	Manillar	1	1	-
2	919/99950	Pin	Goupille	Pasador	1	1	1
3	919/99951	Lever	Levier	Palanca	1	1	1
4	919/99952	Lever	Levier	Palanca	1	1	1
5	919/99953	Connector	Borne	Conector	1	1	1
6	3/0054	Pin	Goupille	Pasador	1	1	1
7	74/0007	Grip	Poignée	Asas	2	2	2
8	919/99954	Wire	Fil	Alambre	1	1	1
9	3/5041	Rod End	Tête de bielle	Cabeza de biela	1	1	1
10	3/5042	Rod End	Tête de bielle	Cabeza de biela	1	1	1
11	9/6019	Bolt	Boulon	Perno	1	1	1
12	4/6003	Washer	Rondelle	Arandela	2	2	2
13	8/6001	Nut	Ecrou	Tuerca	3	3	3
14	919/99955	Wire	Fil	Alambre	1	1	1
15	3/5043	Clevis	Clape	Gancho seguridad	2	2	2
16	919/99956	Pin	Goupille	Pasador	2	2	2
17	3/0057	Pin	Goupille	Pasador	2	2	2
18	919/99957	Collar	Collerette	Collar	1	1	1
19	4/1610	Washer	Rondelle	Arandela	2	2	2
20	4/6013	Washer	Rondelle	Arandela	2	2	2
21	8/16003	Nut	Ecrou	Tuerca	2	2	2
22	919/99958	Collar	Collerette	Collar	1	1	1
23	9/20000	Bolt	Boulon	Perno	1	1	1
24	4/2003	Washer	Rondelle	Arandela	2	2	2
25	8/2001	Nut	Ecrou	Tuerca	2	2	2
27	919/99964	Cap	Chapeau	Tapa	1	1	1
28	919/99959	Support	Support	Dispos.de sostén	-	-	1
29	919/99960	Plate	Plaque	Placa	-	-	1
30	919/99824	Rod	Trigle	Varilla	-	-	1
31	3/1013	E-Ring	E-Ring	E-Ring	-	-	1
32	919/99825	Bush	Douille	Buje	-	-	2
33	919/99826	Spring	Ressort	Muelle	-	-	1
34	9/8041	Bolt	Boulon	Perno	-	-	2
35	4/8003	Washer	Rondelle	Arandela	-	-	2

Ref. No.	Part No.	Description	Descrição	Omschrijving	Qty	Qty	Qty
					650	650	750
					E75NB3	EA300	E75N
1	919/99948	Handle	Alavanca	Hendel	-	-	1
	919/99949	Handle	Alavanca	Hendel	1	1	-
2	919/99950	Pin	Pino	Pen	1	1	1
3	919/99951	Lever	Alavanca	Hendel	1	1	1
4	919/99952	Lever	Alavanca	Hendel	1	1	1
5	919/99953	Connector	Conector	Verbindingsstuk	1	1	1
6	3/0054	Pin	Pino	Pen	1	1	1
7	74/0007	Grip	Mãozotas	Handgrepen	2	2	2
8	919/99954	Cable	Cabo	Kabel	1	1	1
9	3/5041	Rod End	Tampa da hasta	Einde Staaf	1	1	1
10	3/5042	Rod End	Tampa da hasta	Einde Staaf	1	1	1
11	9/6019	Bolt	Perno	Bout	1	1	1
12	4/6003	Washer	Anilha	Afdichtring	2	2	2
13	8/6001	Nut	Porca	Moer	3	3	3
14	919/99955	Cable	Cabo	Kabel	1	1	1
15	3/5043	Clevis	Grampo	Graffel	2	2	2
16	919/99956	Pin	Pino	Pen	2	2	2
17	3/0060	Pin	Pino	Pen	2	2	2
18	919/99957	Collar	Braçadeira	Kraag	1	1	1
19	4/1610	Washer	Anilha	Afdichtring	2	2	2
20	4/6013	Washer	Anilha	Afdichtring	2	2	2
21	8/16003	Nut	Porca	Moer	2	2	2
22	919/99958	Collar	Braçadeira	Kraag	1	1	1
23	9/20000	Bolt	Perno	Bout	1	1	1
24	4/2003	Washer	Anilha	Afdichtring	2	2	2
25	8/2001	Nut	Porca	Moer	2	2	2
27	919/99964	Cap	Tampa	Kap	1	1	1
28	919/99959	Support	Suporte	Steen	-	-	1
29	919/99960	Plate	Placa	Plaat	-	-	1
30	919/99824	Rod	Biele	Staaaf	-	-	1
31	3/1013	E-Ring	E-Ring	E-Ring	-	-	1
32	919/99825	Bush	Bucha	Bus	-	-	2
33	919/99826	Spring	Mola	Veer	-	-	1
34	9/8041	Bolt	Perno	Bout	-	-	2
35	4/8003	Washer	Anilha	Afdichtring	-	-	2



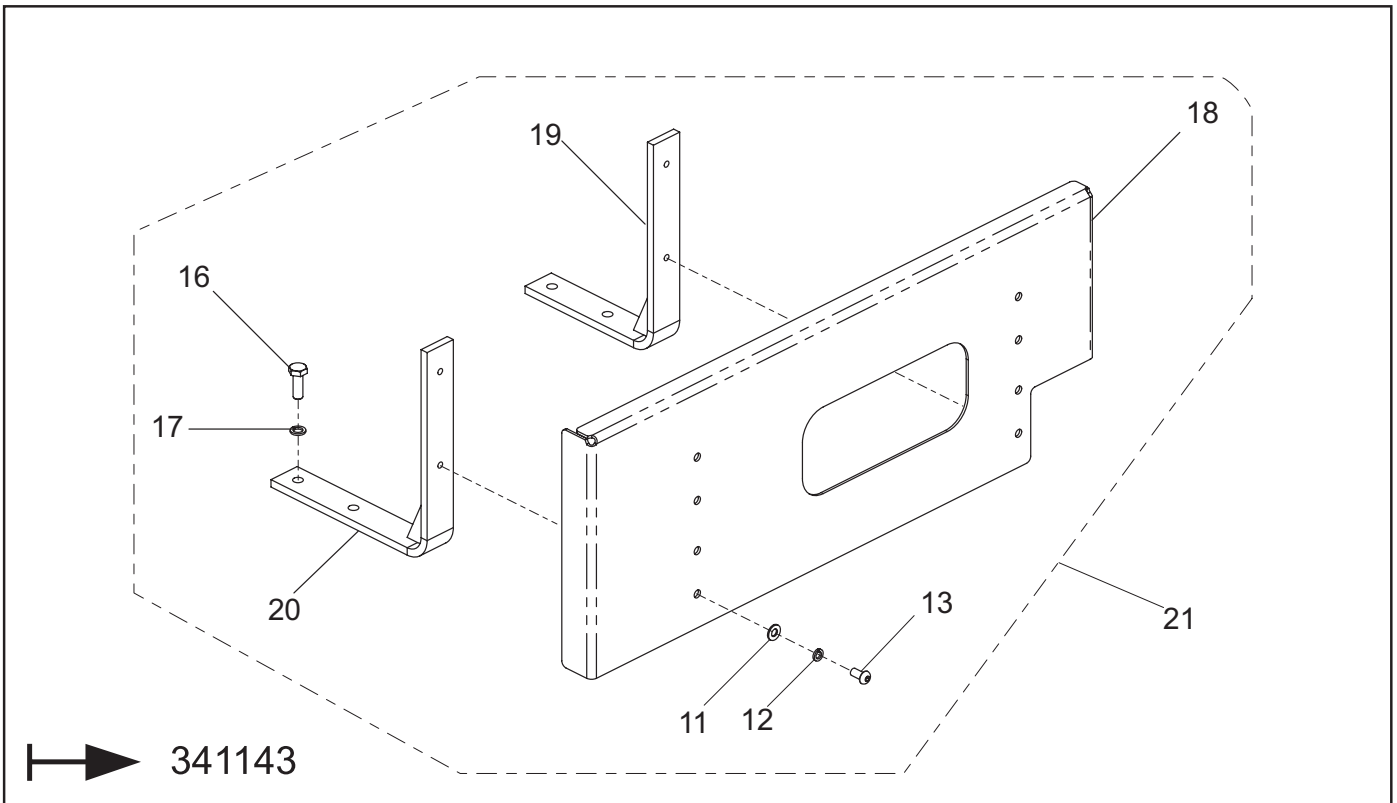
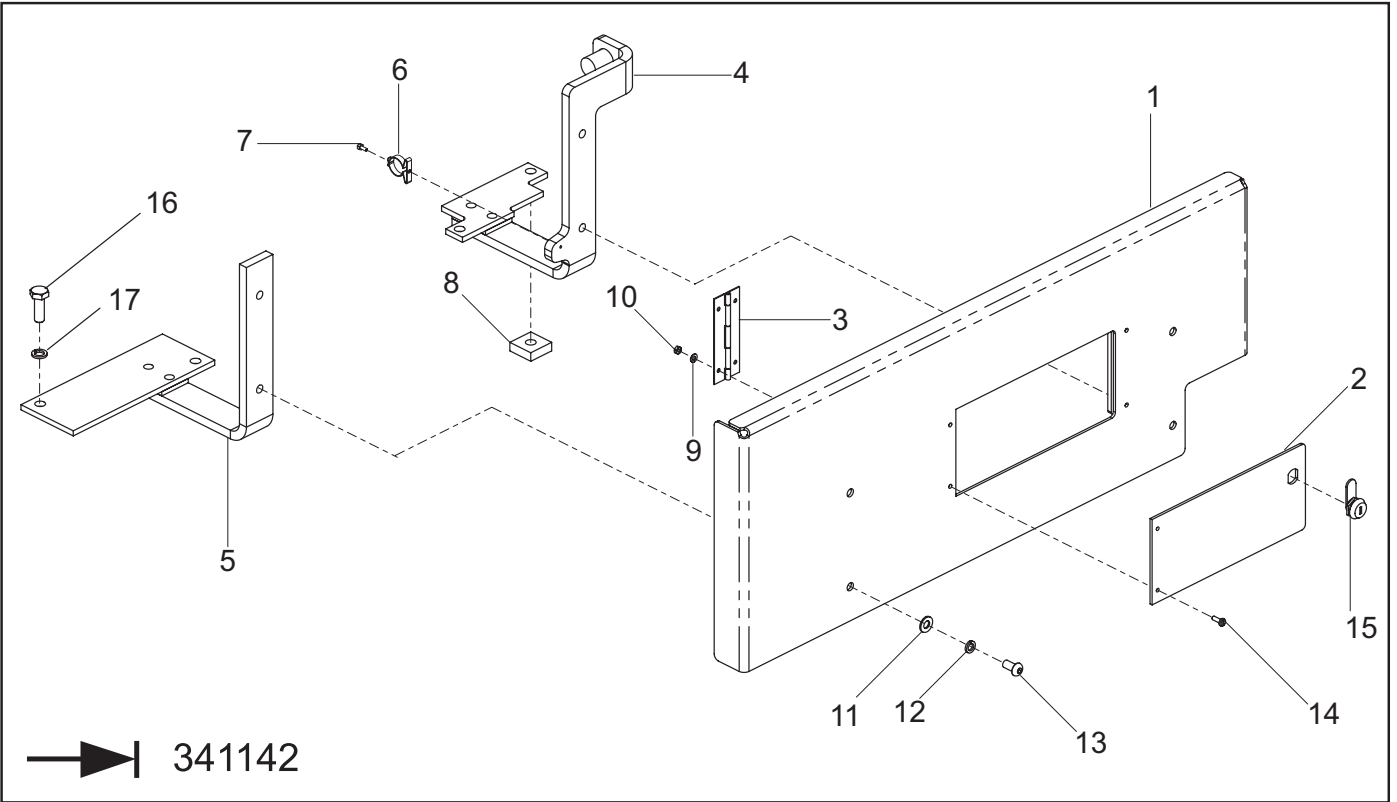
Ref. No.	Part No.	Description	Désignation	Descripción	Qty	Qty	Qty	
					650	650	750	
					E75NB3	EA300	E75N	
1	919/99949	Handle	Guidon	Manillar	1	1	-	
1	919/99948	Handle	Guidon	Manillar	-	-	1	
2	919/99965	Support	Support	Dispos.de sostén	1	1	-	
3	919/99966	Arm	Bras	Brazo	1	1	-	
4	919/99967	Arm	Bras	Brazo	1	1	-	
5	919/99968	Bolt	Boulon	Perno	2	2	-	
6	2/0048	Spring	Ressort	Muelle	1	1	-	
7	9/8041	Bolt	Boulon	Perno	M8x16 8T	2	2	-
8	9/8039	Bolt	Boulon	Perno	M8x20 8T	6	6	-
9	9/8040	Bolt	Boulon	Perno	M8x45 8T	2	2	-
10	4/8003	Washer	Rondelle	Arandela	M8	1	1	-
11	4/8001	Washer	Rondelle	Arandela	M8	2	2	-
12	8/8003	Nut	Ecrou	Tuerca	M8	6	6	-
13	919/99959	Support	Support	Dispos.de sostén	→ 341419	1	1	-
13	919/99827	Support	Support	Dispos.de sostén	→ 341420	1	1	-
13	919/99959	Support	Support	Dispos.de sostén	→ 351030	1	1	-
13	919/99827	Support	Support	Dispos.de sostén	→ 351031	1	1	-
14	919/99961	Rod	Trigle	Varilla	→ 341419	1	1	-
14	919/99828	Rod	Trigle	Varilla	→ 341420	1	1	-
14	919/99961	Rod	Trigle	Varilla	→ 351030	1	1	-
14	919/99828	Rod	Trigle	Varilla	→ 351031	1	1	-
15	919/99806	Bracket	Support Fixation	Soporte	→ 341710	1	1	-
15	919/99829	Bracket	Support Fixation	Soporte	→ 341711	1	1	-
15	919/99806	Bracket	Support Fixation	Soporte	→ 351041	1	1	-
15	919/99829	Bracket	Support Fixation	Soporte	→ 351042	1	1	-
16	919/99963	Plunger	Plongeur	Embolo		1	1	-
17	8/10001	Nut	Ecrou	Tuerca		1	1	-
18	919/99960	Plate	Plaque	Plato		1	1	-
18	919/99830	Plate	Plaque	Plato	Black	1	1	-
18	919/99831	Plate	Plaque	Plato	Red	1	1	-
19	3/1013	Ring	Anneau	Anillo		1	1	-
20	9/8041	Bolt	Boulon	Perno	M8x16 8T	3	3	-
21	4/8003	Washer	Rondelle	Arandela	M8	3	3	-
22	919/99832	Bush	Douille	Buje		2	2	-
23	919/99833	Spring	Ressort	Muelle		1	1	-
24	919/99834	Washer	Rondelle	Arandela	8.5 x 30 x t2.3	1	1	-
25	05.0.058	Washer	Rondelle	Arandela	8.5 x 25 x t3.0	1	1	-
26	00.0.019	Bolt	Boulon	Perno	M8x30 8T	1	1	-
27	919/99835	Cap	Capuchon	Casquete	Black	1	1	-
27	919/99836	Cap	Capuchon	Casquete	Red	1	1	-

Ref. No.	Part No.	Description	Descrição	Omschrijving	Qty	Qty	Qty	
					650	650	750	
					E75NB3	EA300	E75N	
1	919/99949	Handle	Alavanca	Hendel	1	1	-	
1	919/99948	Handle	Alavanca	Hendel	-	-	1	
2	919/99965	Support	Supporte	Steun	1	1	-	
3	919/99966	Arm	Braço	Arm	1	1	-	
4	919/99967	Arm	Braço	Arm	1	1	-	
5	919/99968	Bolt	Perno	Bout	2	2	-	
6	2/0048	Spring	Mola	Veer	1	1	-	
7	9/8041	Bolt	Perno	Bout	M8x16 8T	2	2	-
8	9/8039	Bolt	Perno	Bout	M8x20 8T	6	6	-
9	9/8040	Bolt	Perno	Bout	M8x45 8T	2	2	-
10	4/8003	Washer	Anilha	Afdichtring	M8	1	1	-
11	4/8001	Washer	Anilha	Afdichtring	M8	2	2	-
12	8/8003	Nut	Porca	Moer	M8	6	6	-
13	919/99959	Support	Supporte	Steun	→ Belle	1	1	-
13	919/99959	Support	Supporte	Dispos.de sostén	→ 341419	1	1	-
13	919/99827	Support	Supporte	Dispos.de sostén	→ 341420	1	1	-
13	919/99959	Support	Supporte	Dispos.de sostén	→ 351030	1	1	-
13	919/99827	Support	Supporte	Dispos.de sostén	→ 351031	1	1	-
14	919/99961	Rod	Trigle	Varilla	→ 341419	1	1	-
14	919/99828	Rod	Trigle	Varilla	→ 341420	1	1	-
14	919/99961	Rod	Trigle	Varilla	→ 351030	1	1	-
14	919/99828	Rod	Trigle	Varilla	→ 351031	1	1	-
15	919/99806	Bracket	Support Fixation	Soporte	→ 341710	1	1	-
15	919/99829	Bracket	Support Fixation	Soporte	→ 341711	1	1	-
15	919/99806	Bracket	Support Fixation	Soporte	→ 351041	1	1	-
15	919/99829	Bracket	Support Fixation	Soporte	→ 351042	1	1	-
16	919/99963	Plunger	Embolo	Dompelaar		1	1	-
17	8/10001	Nut	Porca	Moer		1	1	-
18	919/99960	Plate	Placa	Plat		1	1	-
18	919/99830	Plate	Placa	Plat	Black	1	1	-
18	919/99831	Plate	Placa	Plat	Red	1	1	-
19	3/1013	Ring	Anel	Ring		1	1	-
20	9/8041	Bolt	Perno	Bout	M8x16 8T	3	3	-
21	4/8003	Washer	Anilha	Afdichtring	M8	3	3	-
22	919/99832	Bush	Bucha	Bus		2	2	-
23	919/99833	Spring	Mola	Veer		1	1	-
24	919/99834	Washer	Anilha	Afdichtring	8.5 x 30 x t2.3	1	1	-
25	05.0.058	Washer	Anilha	Afdichtring	8.5 x 25 x t3.0	1	1	-
26	00.0.019	Bolt	Perno	Bout	M8x30 8T	1	1	-
27	919/99835	Cap	Tampa	Kap	Black	1	1	-
27	919/99836	Cap	Tampa	Kap	Red	1	1	-



Ref. Part No.	Part No.	Description	Désignation	Descripción	Qty 650	Qty 650
					E75NB3	EA300
1	919/99969	Battery Holder	Support de Batterie	Soporte Bateria	1	1
2	9/10026	Bolt	Boulon	Perno	M10x40	4
3	71/0219	Cable - Positive	Câble - Positif	Cable - Positivo		1
4	71/0220	Cable - Earth	Câble - De Terre	Cable - Cabeza		1
5	71/0221	Harness	Faisceau	Cableado		1
6	71/0222	Cable	Câble	Cable		1
7	70/0219	Buzzer	Signal	Vibrador		1
8	70/0218	Switch	Bouton	Parada	(Kubota)	1
9	70/0220	Switch	Bouton	Parada		1
9a	919/99807	Switch	Bouton	Parada		1
9b	919/99808	Key	Clavette	Chaveta		1
10	70/0221	Battery	Batterie	Bateria		1
11	919/99970	Rubber Isolator	Isolateur en caoutchouc	Aislador de caucho		2
12	919/99971	Bolt	Boulon	Perno		2
13	919/99972	Plate	Plaque	Placa		2
14	919/99973	Battery Holder	Support de Batterie	Soporte Bateria		1
15	8/8008	Nut	Ecrou	Tuerca	M8	2
16	4/8003	Washer	Rondelle	Arandela	M8	2
17	4/8001	Washer	Rondelle	Arandela	M8	2
18	9/5007	Bolt	Boulon	Perno	M5x10, 4T	1
19	4/5003	Washer	Rondelle	Arandela	M5	1
20	4/5001	Washer	Rondelle	Arandela	M5	1

Ref. Part No.	Part No.	Description	Descrição	Omschrijving	Qty 650	Qty 650
					E75NB3	EA300
1	919/99969	Battery Holder	Suporte da Bateria	Accu Houder		1
2	9/10026	Bolt	Perno	Bout	M10x40	4
3	71/0219	Cable - Positive	Cabo - Positivo	Kabel - Positief		1
4	71/0220	Cable - Earth	Cabo - Terra	Kabel - Aarde		1
5	71/0221	Harness	Arnês	Bedrading		1
6	71/0222	Cable	Cabo	Kabel		1
7	70/0219	Buzzer	Vibrador	Zoemer		1
8	70/0218	Switch	Chave	Shakelaar	(Kubota)	1
9	70/0220	Switch	Chave	Shakelaar		1
9a	919/99807	Switch	Chave	Shakelaar		1
9b	919/99808	Key	Chave	Spie		1
10	70/0221	Battery	Bateria	Accu		1
11	919/99970	Rubber Isolator	Vedante de Borracha	Rubberen isolator		2
12	919/99971	Bolt	Perno	Bout		2
13	919/99972	Plate	Placa	Plaat		2
14	919/99973	Battery Holder	Suporte da Bateria	Accu Houder		1
15	8/8008	Nut	Porca	Moer	M8	2
16	4/8003	Washer	Anilha	Afdichtring	M8	2
17	4/8001	Washer	Anilha	Afdichtring	M8	2
18	9/5007	Bolt	Perno	Bout	M5x10, 4T	1
19	4/5003	Washer	Anilha	Afdichtring	M5	1
20	4/5001	Washer	Anilha	Afdichtring	M5	1



Engine Side Panel

10-01

Ref. No.	Part No.	Description	Désignation	Descripción		Qty	Qty	Qty
						650	650	750
						E75NB3	EA300	E75NB3
1	919/99801	Side Cover	Couvercle latéral	Tapa Lateral		1	1	-
2	919/99802	Door	Porte	Puerta		1	1	-
3	73/0048	Hinge	Charnière	Bisagra		1	1	-
4	919/00200	Bracket	Patte de montage	Escuadra		1	1	-
5	919/00100	Bracket	Patte de montage	Escuadra		1	1	-
6	3/1014	Clip	Collier	Presilla		1	1	-
7	7/3001	Screw	Vis	Tornillo		1	1	-
8	919/99803	Nut	Ecrou	Tuerca		1	1	-
9	4/4001	Washer	Rondelle	Arandela		4	4	-
10	8/4003	Nut	Ecrou	Tuerca		4	4	-
11	4/8006	Washer	Rondelle	Arandela		4	4	-
12	4/8003	Washer	Rondelle	Arandela		4	4	-
13	7/8049	Screw	Vis	Tornillo		4	4	-
14	7/4002	Screw	Vis	Tornillo		2	2	-
15	73/0047	Lock	Serrure	Cierre		1	1	-
16	9/10001	Bolt	Boulon	Perno		4	4	-
17	4/1003	Washer	Rondelle	Arandela		4	4	-
18	919/99812	Side Cover	Couvercle latéral	Tapa Lateral	Orange	1	1	-
18	919/99816	Side Cover	Couvercle latéral	Tapa Lateral	Yellow	1	1	-
19	919/00600	Bracket	Patte de montage	Escuadra		1	1	-
20	919/00500	Bracket	Patte de montage	Escuadra		1	1	-
21	OPR-02-DIO	Retrofit Kit	Kit de Modification	Kit de Modificación	→ 341142	1	1	-
21	OPR-01-DIO	Retrofit Kit	Kit de Modification	Kit de Modificación	→ 341143	1	1	-

Ref. No.	Part No.	Description	Descrição	Omschrijving		Qty	Qty	Qty
						650	650	750
						E75NB3	EA300	E75NB3
1	919/99801	Side Cover	Tampa Lateral	Zijdeksel		1	1	-
2	919/99802	Door	Porta	Deur		1	1	-
3	73/0048	Hinge	Dobradiça	Scharnier		1	1	-
4	919/00200	Bracket	Suporte	Steun		1	1	-
5	919/00100	Bracket	Suporte	Steun		1	1	-
6	3/1014	Clip	Grampo	Klem		1	1	-
7	7/3001	Screw	Parafuso	Schroef		1	1	-
8	919/99803	Nut	Porca	Moer		1	1	-
9	4/4001	Washer	Anilha	Afdichtring		4	4	-
10	8/4003	Nut	Porca	Moer		4	4	-
11	4/8006	Washer	Anilha	Afdichtring		4	4	-
12	4/8003	Washer	Anilha	Afdichtring		4	4	-
13	7/8049	Screw	Parafuso	Schroef		4	4	-
14	7/4002	Screw	Parafuso	Schroef		2	2	-
15	73/0047	Lock	Fechadura	Slot		1	1	-
16	9/10001	Bolt	Perno	Bout		4	4	-
17	4/1003	Washer	Anilha	Afdichtring		4	4	-
18	919/99812	Side Cover	Tampa Lateral	Zijdeksel	Orange	1	1	-
18	919/99816	Side Cover	Tampa Lateral	Zijdeksel	Yellow	1	1	-
19	919/00600	Bracket	Suporte	Steun		1	1	-
20	919/00500	Bracket	Suporte	Steun		1	1	-
21	OPR-02-DIO	Retrofit Kit	Jogo de Retrofit	Pas uitrusting retroactief aan	→ 341142	1	1	-
21	OPR-01-DIO	Retrofit Kit	Jogo de Retrofit	Pas uitrusting retroactief aan	→ 341143	1	1	-

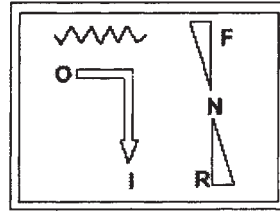
1



2



3



4.



5



6



7



8



9



10



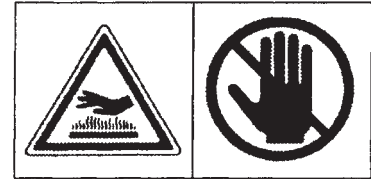
11



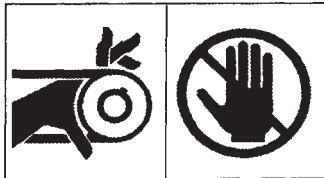
12



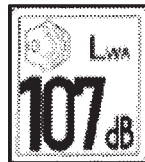
13



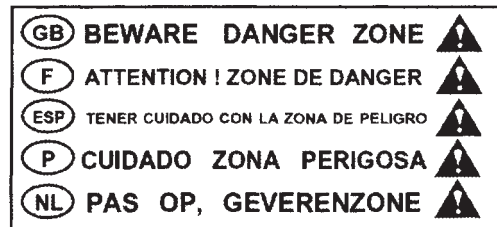
14



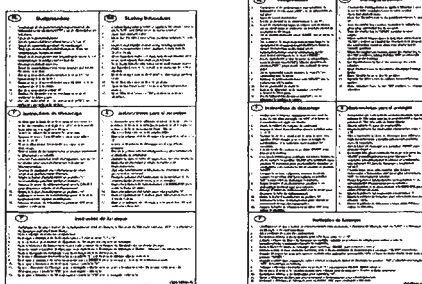
15



16



17



18



19



20



Ref. No.	Part No.	Description	Désignation	Descripción	Qty	Qty	Qty
					650	650	750
					E75NB3	EA300	E75N
1	800/99990	Decal	Autocollant	Rótulo	1	1	1
2	800/99991	Decal	Autocollant	Rótulo	1	1	1
3	800/99992	Decal	Autocollant	Rótulo	1	1	1
4	800/99993	Decal	Autocollant	Rótulo	1	1	-
5	800/99994	Decal	Autocollant	Rótulo	1	1	1
6	800/99995	Decal	Autocollant	Rótulo	1	1	1
7	800/99996	Decal	Autocollant	Rótulo	1	1	1
8	840/01700	Decal	Autocollant	Rótulo	1	1	1
9	800/10430	Decal	Autocollant	Rótulo	1	1	1
10	800/99997	Decal	Autocollant	Rótulo	1	1	1
11	800/99998	Decal	Autocollant	Rótulo	1	1	1
12	800/99999	Decal	Autocollant	Rótulo	1	1	1
13	800/99801	Decal	Autocollant	Rótulo	1	1	1
14	800/99802	Decal	Autocollant	Rótulo	1	1	1
15	800/99942	Decal	Autocollant	Rótulo	1	1	1
16	800/21310	Decal	Autocollant	Rótulo	1	1	1
17	800/99944	Decal	Autocollant	Rótulo	1	1	-
17	800/99945	Decal	Autocollant	Rótulo	-	-	1
18	800/99969	Decal	Autocollant	Rótulo	1	1	1
19	800/99967	Decal	Autocollant	Rótulo	1	1	-
19	800/99968	Decal	Autocollant	Rótulo	-	-	1
20	800/99803	Decal	Autocollant	Rótulo	1	1	-
20	800/99804	Decal	Autocollant	Rótulo	-	-	1

Ref. No.	Part No.	Description	Désignation	Descripción	Qty	Qty	Qty
					650	650	750
					E75NB3	EA300	E75N
1	800/99990	Decal	Decalque	Label	1	1	1
2	800/99991	Decal	Decalque	Label	1	1	1
3	800/99992	Decal	Decalque	Label	1	1	1
4	800/99993	Decal	Decalque	Label	1	1	-
5	800/99994	Decal	Decalque	Label	1	1	1
6	800/99995	Decal	Decalque	Label	1	1	1
7	800/99996	Decal	Decalque	Label	1	1	1
8	840/01700	Decal	Decalque	Label	1	1	1
9	800/10430	Decal	Decalque	Label	1	1	1
10	800/99997	Decal	Decalque	Label	1	1	1
11	800/99998	Decal	Decalque	Label	1	1	1
12	800/99999	Decal	Decalque	Label	1	1	1
13	800/99801	Decal	Decalque	Label	1	1	1
14	800/99802	Decal	Decalque	Label	1	1	1
15	800/99942	Decal	Decalque	Label	1	1	1
16	800/21310	Decal	Decalque	Label	1	1	1
17	800/99944	Decal	Decalque	Label	1	1	-
17	800/99945	Decal	Decalque	Label	-	-	1
18	800/99969	Decal	Decalque	Label	1	1	1
19	800/99967	Decal	Decalque	Label	1	1	-
19	800/99968	Decal	Decalque	Label	-	-	1
20	800/99803	Decal	Decalque	Label	1	1	-
20	800/99804	Decal	Decalque	Label	-	-	1